



Zulassung für 2 Personen

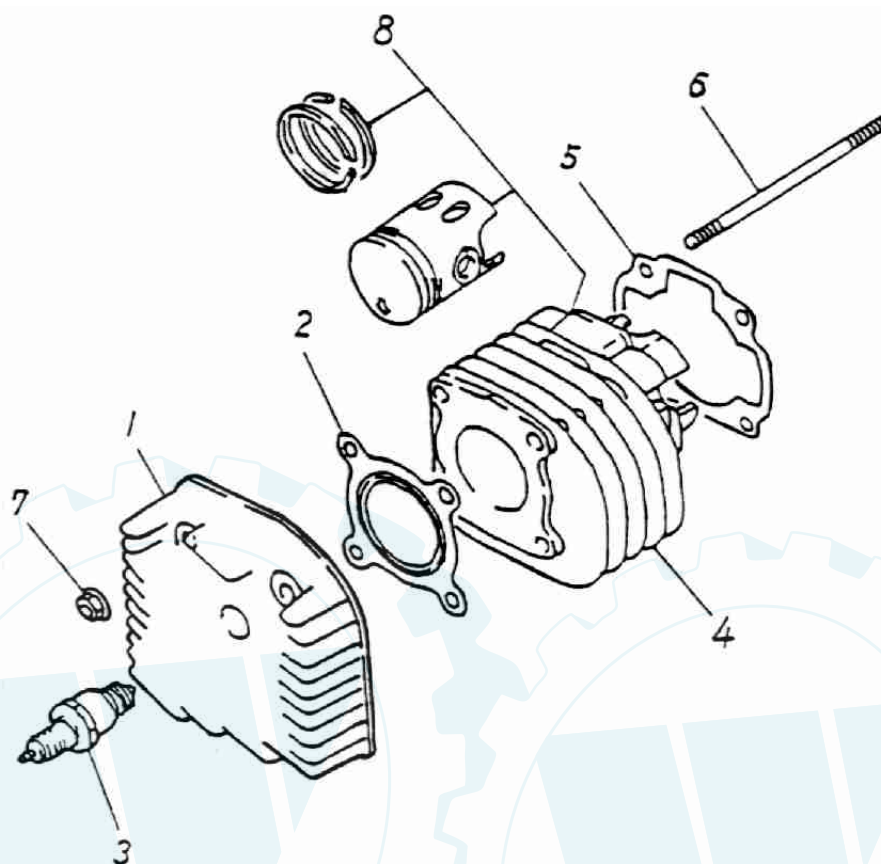
ERING

Silver Fox

Art. Nr.: 99389 blau, 99391 rot, 99382 schwarz



Blatt 1 von 1

Zylinder

1	12201-116-000	1 CYLINDER HEAD
2	12251-116-000	1 CYLINDER HEAD GASKET
3	98076-101-000	1 SPARK PLUG
4	98076-101-00A	1 ANTI-RESISTANCE SPARK PLUG
5	12101-116-000	1 CYLINDER
6	12191-116-000	1 CYLINDER GASKET
7	91001-07110	4 STUD BOLT
8	94050-07000	4 HEX FLANGE NUT WITH SERRATION
9	12301-116-000	1 CYLINDER COMP

ERING

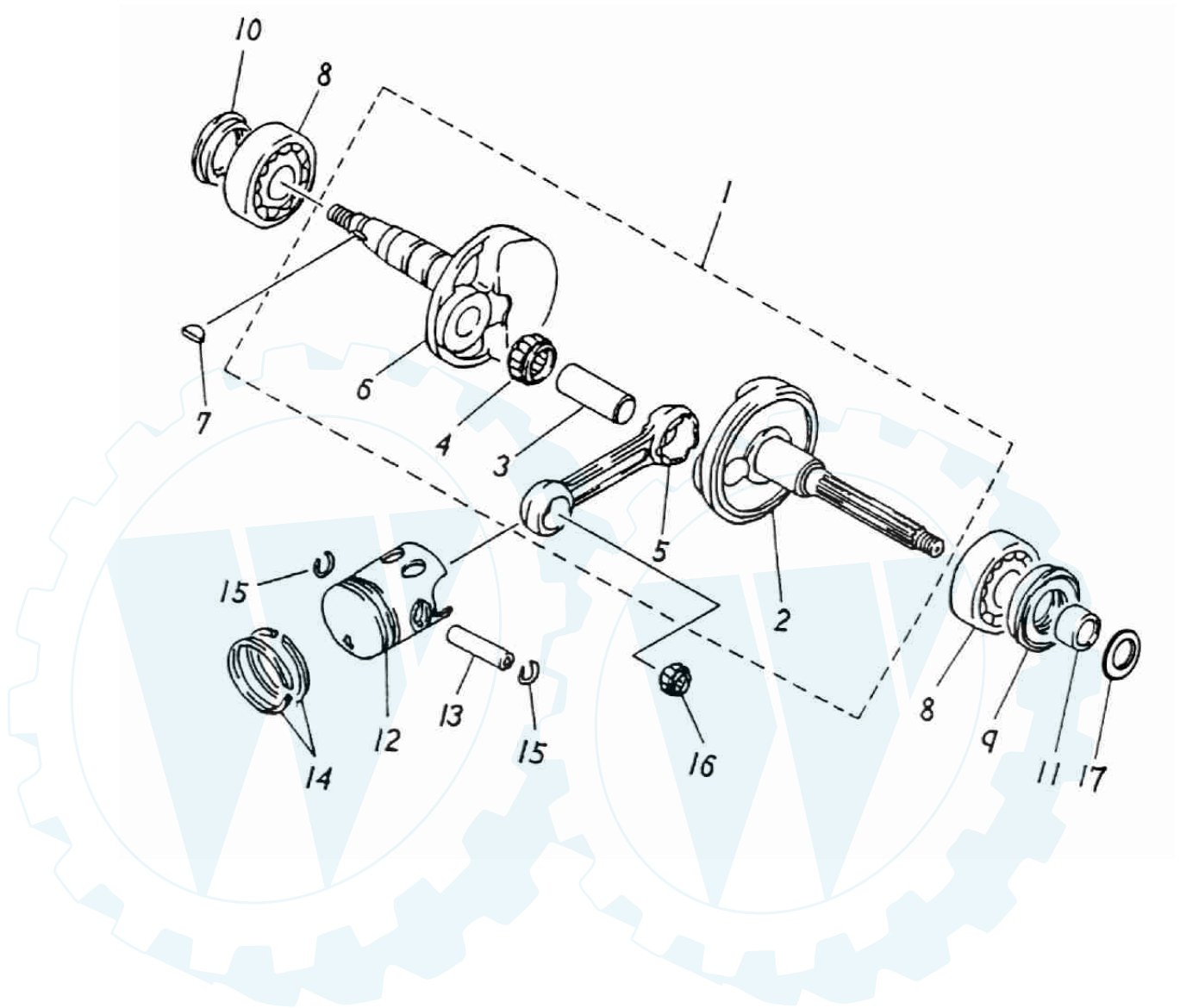
Silver Fox

Art. Nr.: 99389 blau, 99391 rot, 99382 schwarz



Blatt 1 von 2

Kurbelwelle



ERING

Silver Fox

Art. Nr.: 99389 blau, 99391 rot, 99382 schwarz



Blatt 2 von 2

Kurbelwelle

1	13000-116-000	1 CRANKSHAFT ASS'Y
2	13321-116-000	1 LEFT CRANK
3	13381-104-000	1 CRANK PIN
4	96200-162212	1 NEEDLE BEARING
5	13201-104-000	1 CRANK CONNECTING ROD
6	13311-116-000	1 RIGHT CRANK
7	90471-104-000	1 SEMICYCLE KEY
8	96100-62040	2 RADIAL BALL BEARING
9	96500-20428	1 OIL SEAL
10	96500-20306	1 OIL SEAL
11	13316-116-000	1 LEFT CRANK COLLAR
12	13100-116-000	1 PISTON
13	13111-104-000	1 PISTON PIN
14	13011-116-000	1 PISTON RING SET
15	13115-104-000	2 PISTON PING CLIP
16	96200-101412	1 NEEDLE BEARING
17	94101-1319005	1 PLATE WASHER

ERING

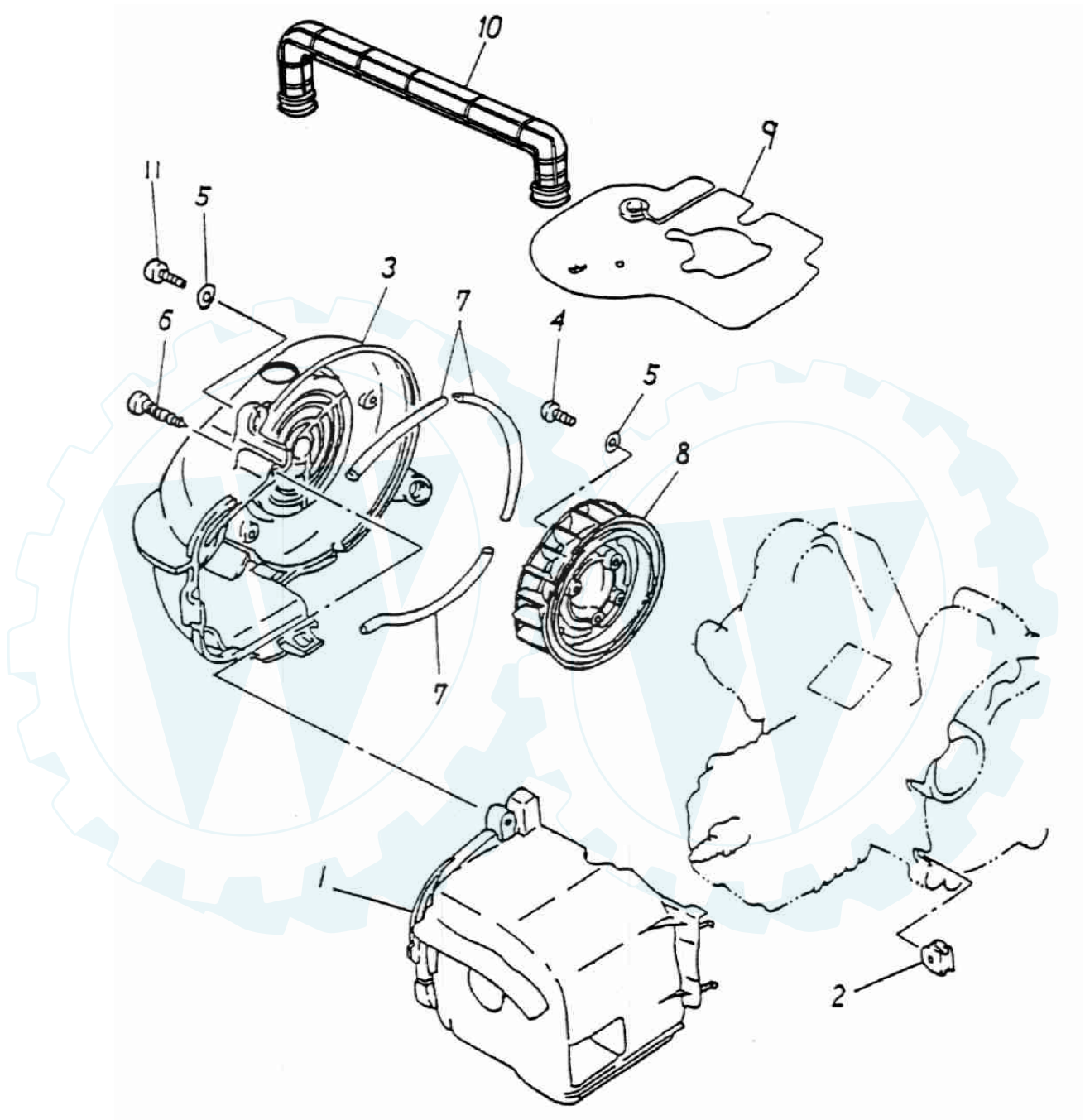
Silver Fox

Art. Nr.: 99389 blau, 99391 rot, 99382 schwarz



Blatt 1 von 2

Lüftergehäuse



ERING

Silver Fox

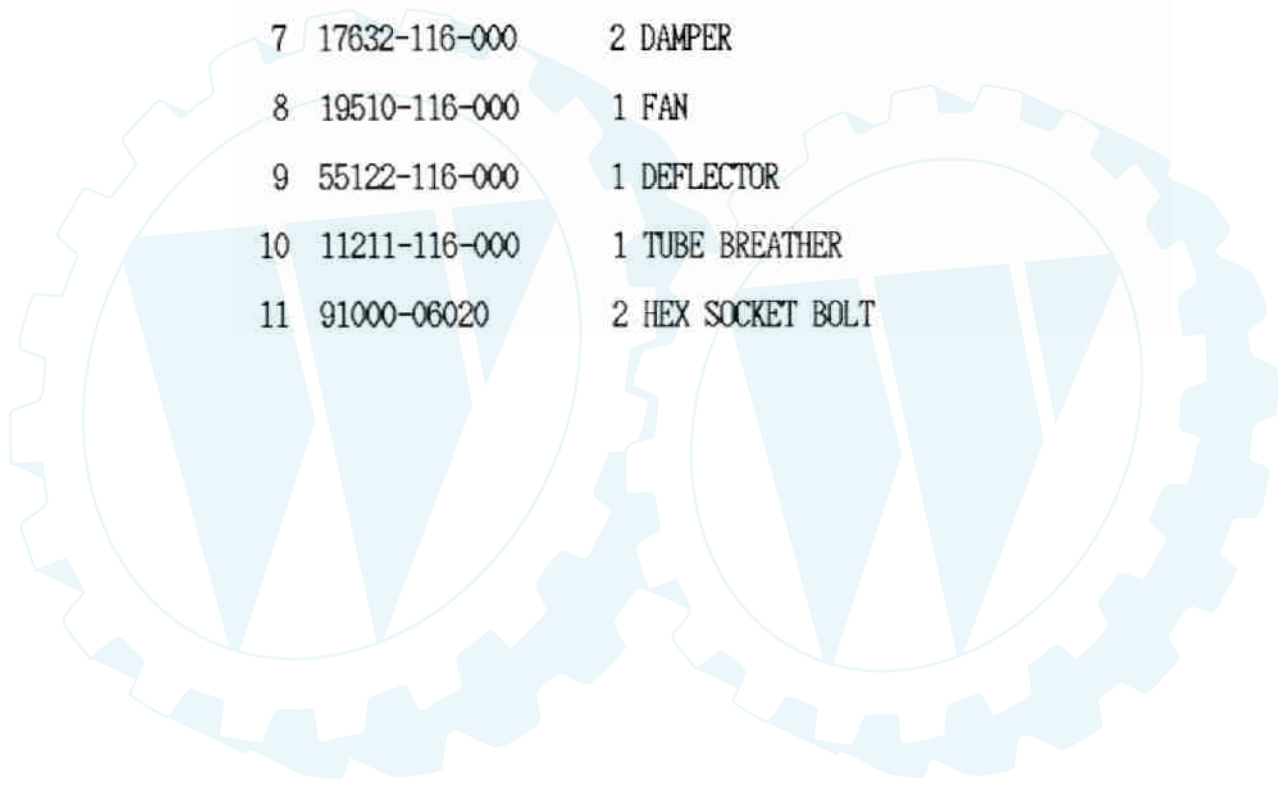
Art. Nr.: 99389 blau, 99391 rot, 99382 schwarz



Blatt 2 von 2

Lüftergehäuse

1	19620-116-000	1	CYLINDER AIR SHROUD
2	83552-116-000	2	GROMMET
3	19610-116-001	1	CENERATOR COVER (HOLE)
4	91000-06015	6	HEX SOCKET BOLT
5	94101-0613010	6	PLAIN WASHER
6	93903-06040	1	TAPPING SCREW TRUSS HEAD PHILLIPS
7	17632-116-000	2	DAMPER
8	19510-116-000	1	FAN
9	55122-116-000	1	DEFLECTOR
10	11211-116-000	1	TUBE BREATHER
11	91000-06020	2	HEX SOCKET BOLT



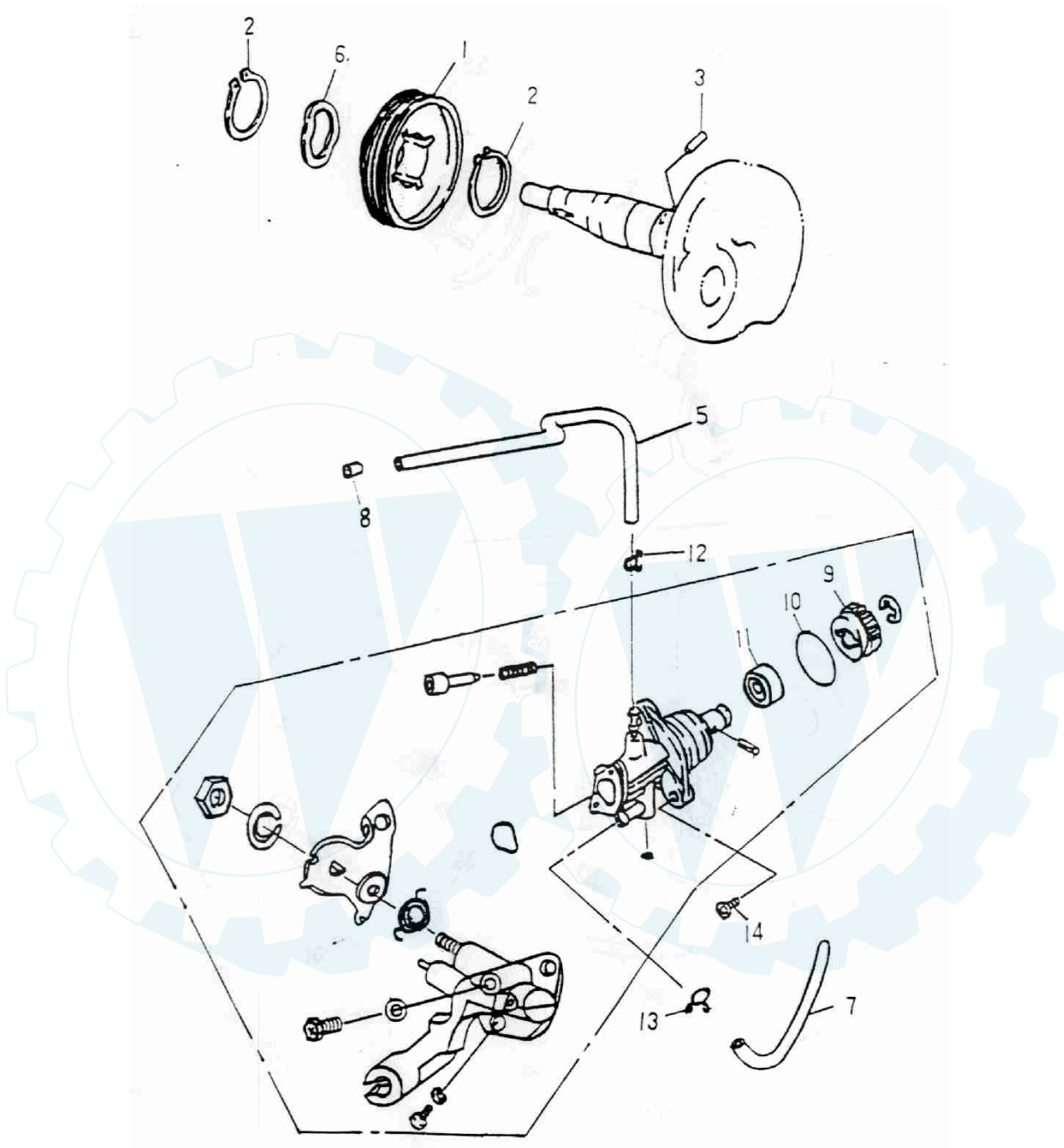
Silver Fox

Art. Nr.: 99389 blau, 99391 rot, 99382 schwarz



Blatt 1 von 2

Ölpumpe



ERING

Silver Fox

Art. Nr.: 99389 blau, 99391 rot, 99382 schwarz



Blatt 2 von 2

Ölpumpe

1	15150-104-000	1 PUMP DRIVE GEAR
2	94511-1900S	2 EXTERNAL CIR CLIP
3	96300-030118	1 CRANK SHAFT PIN
4	15100-116-00A	1 OIL PUMP ASS'Y
5	94400-0205250	1 OIL TUBE
6	15151-104-000	1 WAVE WASHER
7	94400-0408300	1 TUBE
8	15101-116-000	1 STEEL RING
9	15136-110-000	1 OIL PUMP WORMWHEEL
10	91319-110-000	1 OIL RING
11	96500-09164	1 OIL SEAL
12	94510-05000	2 CLIP
13	94510-08000	2 CLIP
14	93500-05015	2 PAN PHILLIPS BOLT

ERING

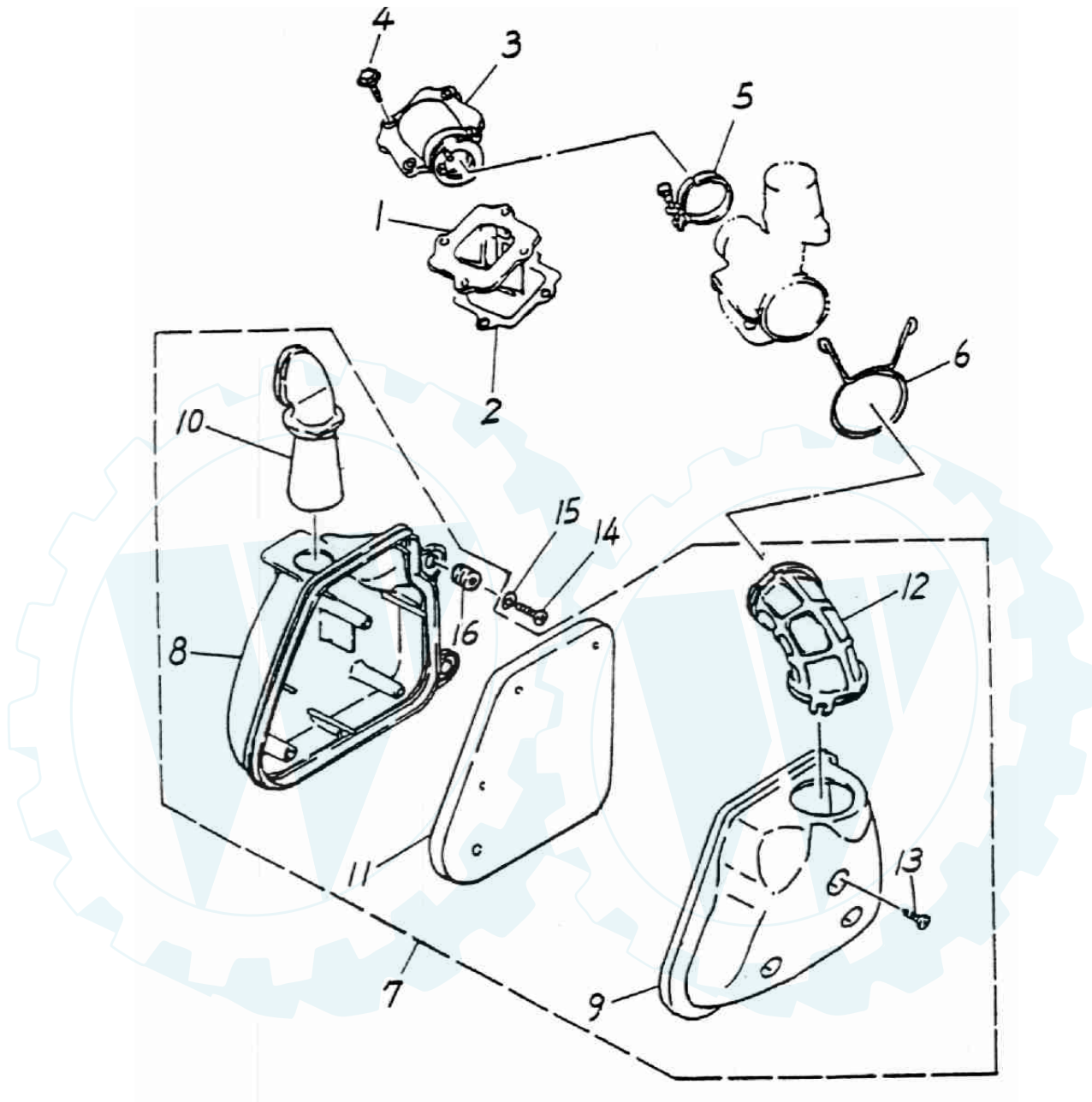
Silver Fox

Art. Nr.: 99389 blau, 99391 rot, 99382 schwarz



Blatt 1 von 2

Luftfilter



ERING

Silver Fox

Art. Nr.: 99389 blau, 99391 rot, 99382 schwarz



Blatt 2 von 2

Luftfilter

1	14100-116-000	1 REED VALVE ASS'Y
2	17111-116-000	1 REED VALVE GASKET
3	17100-116-000	1 INTAKE MANIFOLD
4	96000-06018-08	4 HEX WASHER FACE BOLT
5	14110-104-000	1 INTAKE MANIFOLD HOSE CLAMP
6	94510-40000	1 CLIP
7	17200-116-000	1 AIR CLEANER ASS'Y
8	17206-116-000	1 AIR CLEANER CASE
9	17207-116-000	1 CLEANER CASE CAP
10	17219-116-000	1 CLEANER GUIDE PIPE
11	17205-116-000	1 AIR CLEANER ELEMENT
12	17253-116-000	1 AIR CLEANER JOINT
13	93903-05025	3 TAPPING SCREW TRUSS HEAD PHILLIPS
14	91000-06020	2 HEX SOCKET BOLT
15	94101-0613010	2 PLAIN WASHER
16	96485-116-000	2 GROMMET

ERING

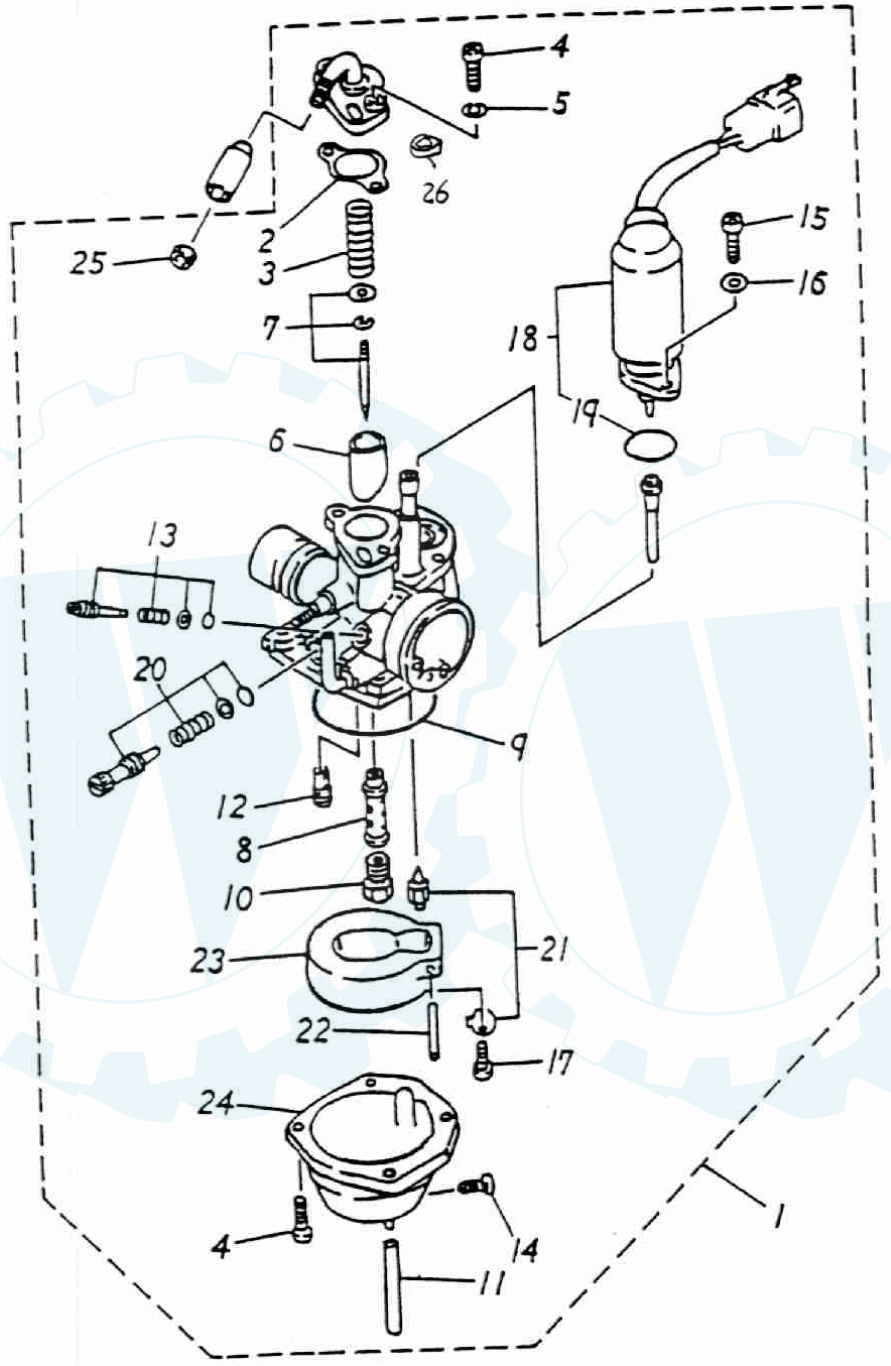
Silver Fox

Art. Nr.: 99389 blau, 99391 rot, 99382 schwarz



Blatt 1 von 2

Vergaser



ERING

Silver Fox

Art. Nr.: 99389 blau, 99391 rot, 99382 schwarz



Blatt 2 von 2

Vergaser

1	16100-116-000	1 CARBURETOR ASS'Y
2	16101-116-000	1 CARBURETOR GASKET
3	16102-116-000	1 THROTTLE VALVE SPRING
4	93500-04014	6 PAN PHILLIPS BOLT
5	94111-0407010	2 SPRING WASHER
6	16103-116-000	1 THROTTLE VALVE
7	16104-116-000	1 NEEDLE SET
8	16105-116-000	1 NEEDLE NOZZLE
9	16106-116-000	1 FLOAT CHAMBER SEAL
10	16108-116-000	1 MAIN NOZZLE
11	16109-116-000	1 OVER FLOW TUBE
12	16110-116-000	1 PILOT JET
13	16115-116-000	1 AIR ADJUST SCREW SET
14	16111-116-000	1 DRAIN PLUG
15	93500-04008	2 PAN PHILLIPS BOLT
16	94111-0406510	2 SPRING WASHER
17	93500-03008	1 PAN PHILLIPS BOLT
18	17215-116-000	1 PLUNGER STARTER
19	91314-116-000	1 OIL RING
20	16114-116-000	1 THROTTLE SCREW SET
21	16117-116-000	1 NEEDLE VALVE ASS'Y
22	16119-116-000	1 FLOAT PIN
23	16118-116-000	1 FLOAT
24	16107-116-000	1 FLOAT CHAMBER
25	16113-116-000	1 CABLE ADJUST NUT
<hr/>		
>6	16148-116-000	1 CARBURETOR REDUCER

ERING

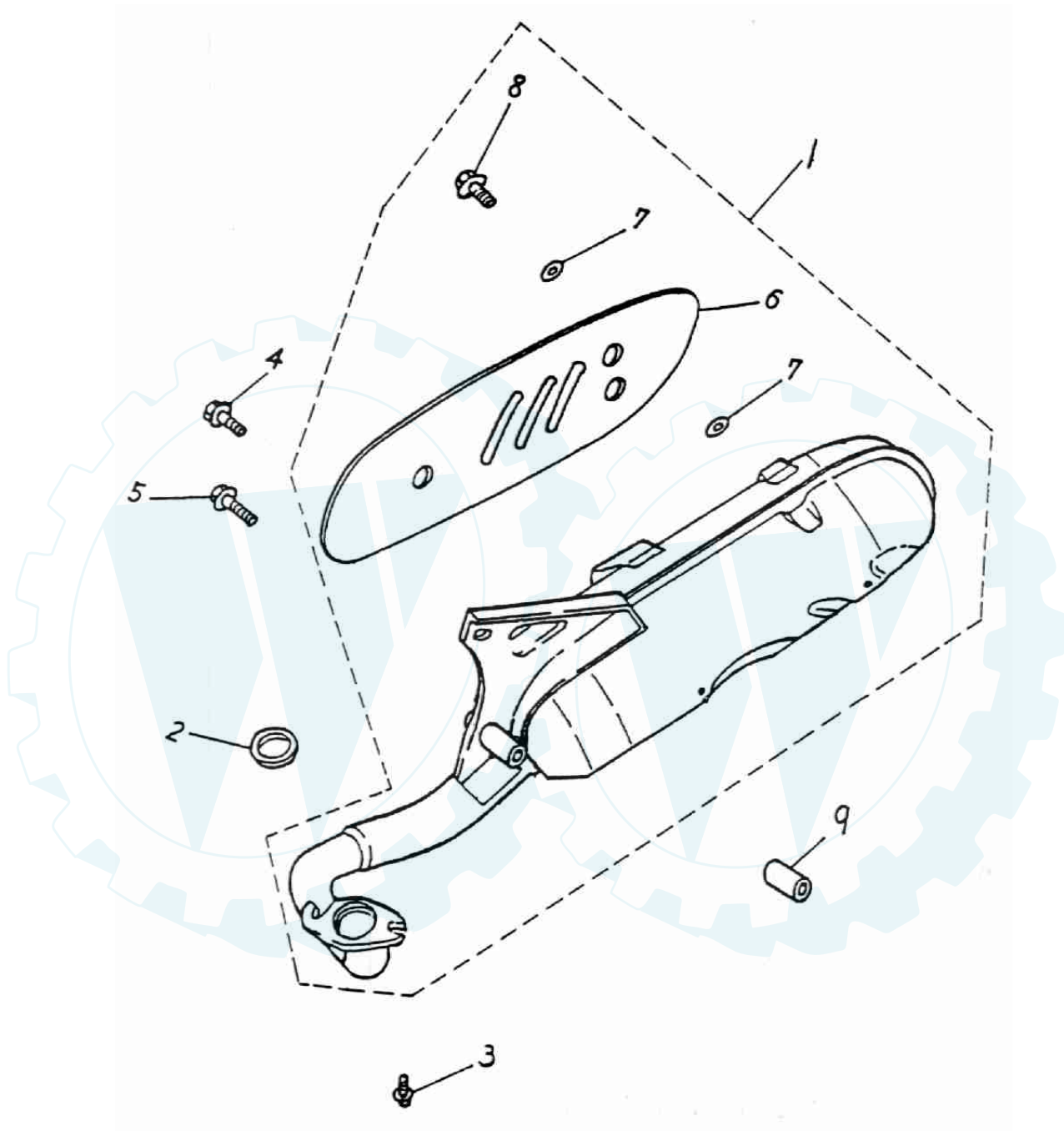
Silver Fox

Art. Nr.: 99389 blau, 99391 rot, 99382 schwarz



Blatt 1 von 2

Auspuff



ERING

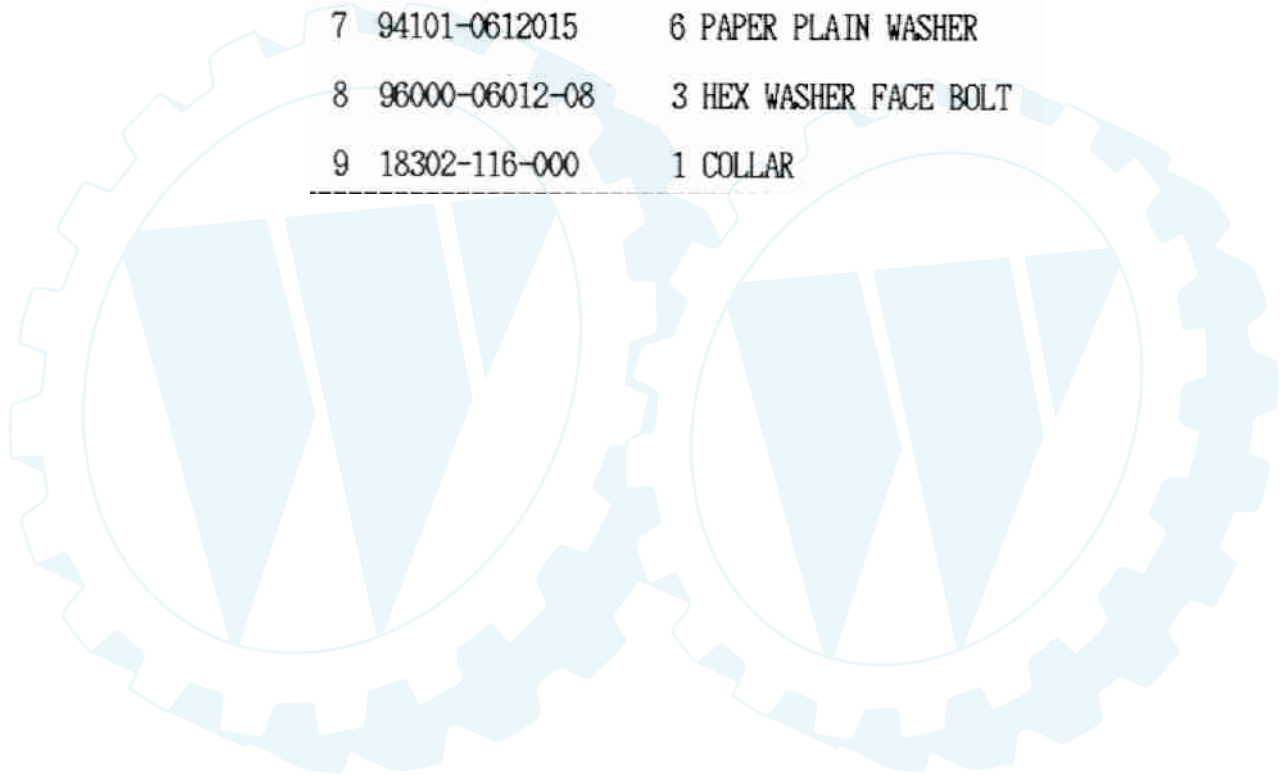
Silver Fox

Art. Nr.: 99389 blau, 99391 rot, 99382 schwarz



Auspuff

1	18300-116-00J	1 EXHAUST PIPE ASS'Y
2	18291-104-000	1 EXHAUST PIPE GASKET
3	92001-06018-10	2 HEX HEAD PHILLIPS BOLT
4	96000-08048-12	1 HEX WASHER FACE BOLT
5	96000-08065-12	1 HEX WASHER FACE BOLT
6	18301-116-000	1 MUFFLER PROTECTOR
7	94101-0612015	6 PAPER PLAIN WASHER
8	96000-06012-08	3 HEX WASHER FACE BOLT
9	18302-116-000	1 COLLAR



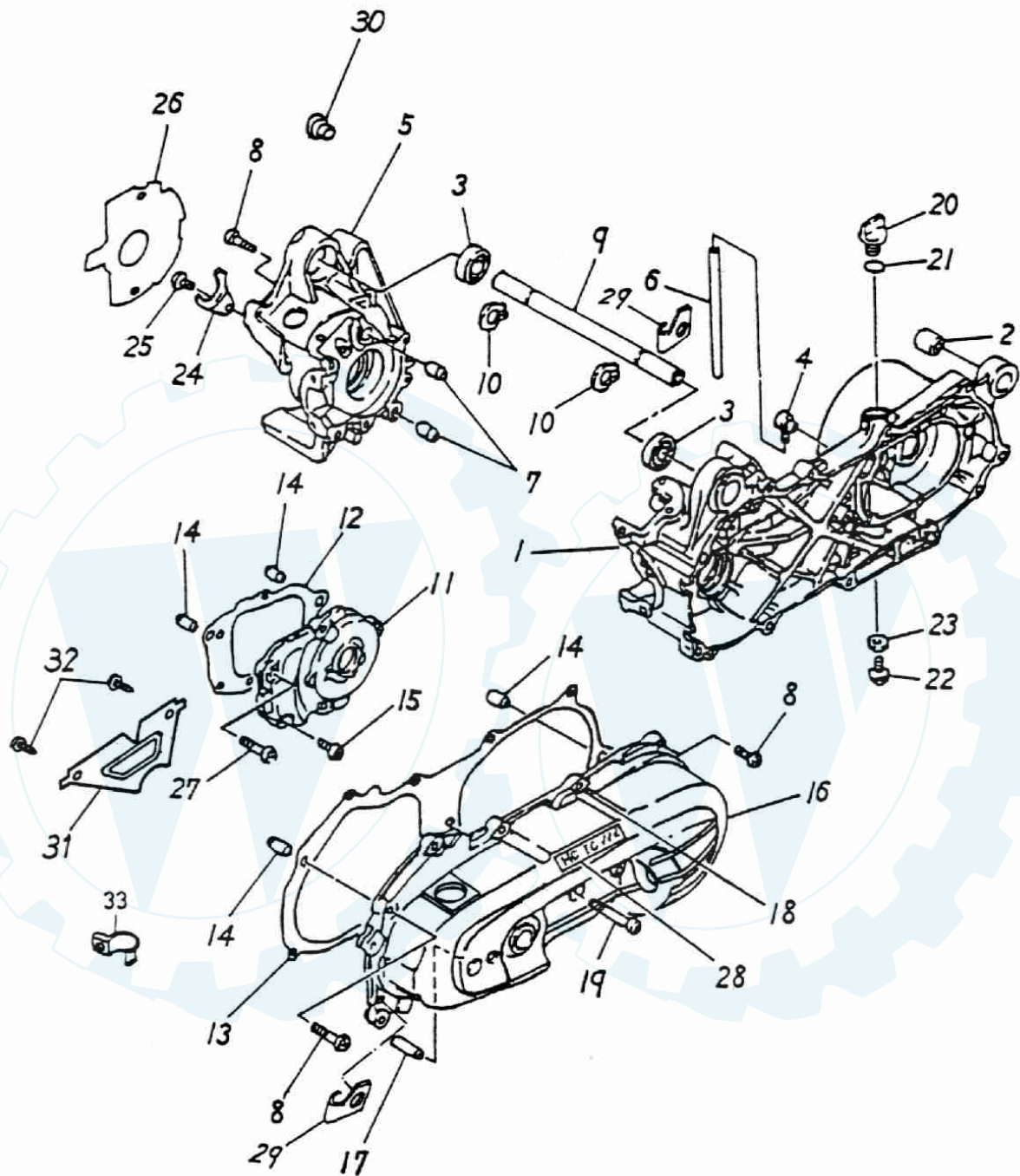
Silver Fox

Art. Nr.: 99389 blau, 99391 rot, 99382 schwarz



Blatt 1 von 2

Motorengehäuse



ERING

Silver Fox

Art. Nr.: 99389 blau, 99391 rot, 99382 schwarz



Blatt 2 von 2

Motorengehäuse

1	11201-116-000	1 LEFT CRANKCASE	32	93903-04008	2 TAPPING SCREW TRUSS HEAD PHILLIPS
2	96400-082020	1 RUBBER BUSHING	33	11351-120-00A	1 CLAMP
3	96100-6003U	2 RADIAL BALL BEARING			
4	16610-104-000	1 BREATHER HOSE HEAD			
5	11101-116-000	1 RIGHT CRANKCASE			
6	16615-104-000	1 BREATHER HOSE			
7	94301-12160	2 DOWEL PIN			
8	91000-06035	8 HEX SOCKET BOLT			
9	11150-116-000	1 CRANKCASE FIX SHAFT			
10	94511-1700S	2 EXTERNAL CIR CLIP			
11	21301-116-000	1 MISSION COVER			
12	21395-116-000	1 MISSION COVER GASKET			
13	11359-116-000	1 CRANKCASE COVER GASKET			
14	94301-10140	4 DOWEL PIN			
15	91000-06020	3 HEX SOCKET BOLT			
16	11341-116-001	1 LEFT CRANKCASE COVER (HOLE)			
17	96300-080320	1 SHAFT IDLER			
18	91000-06025	9 HEX SOCKET BOLT			
19	91000-06060	1 HEX SOCKET BOLT			
20	15650-110-000	1 OIL SEAL PLUG			
21	91312-104-000	1 OIL RING			
22	96000-08015-12	1 HEX WASHER FACE BOLT			
23	94101-0813010	1 COPPER PLAIN WASHER			
24	11111-104-000	1 OIL SEAL BRACKET			
25	91000-06010	1 HEX SOCKET BOLT			
26	11121-116-000	1 GENERATOR GASKET			
27	91000-06030	2 HEX SOCKET BOLT			
28	87733-116-000	1 STICKER			
29	11351-104-000	2 CARBURETOR TUBE BRACKET			
30	11102-116-000	1 PROTECT SHROUD			
31	11342-116-000	1 PLATE L COVER			

ERING

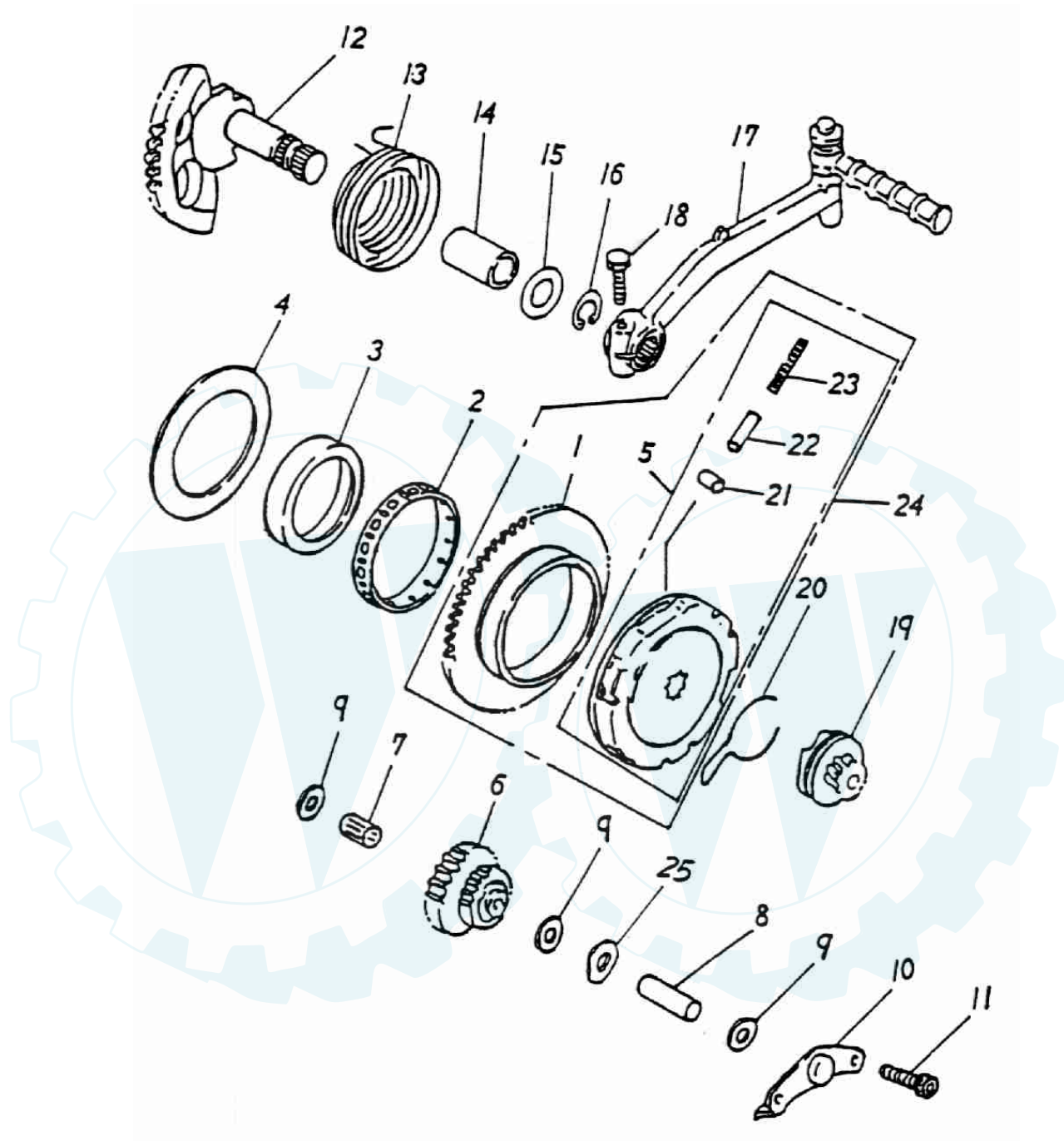
Silver Fox

Art. Nr.: 99389 blau, 99391 rot, 99382 schwarz



Blatt 1 von 2

Starter



ERING

Silver Fox

Art. Nr.: 99389 blau, 99391 rot, 99382 schwarz



Blatt 2 von 2

Starter

1	28220-116-000	1 STARTER WHEEL
2	96200-555912	1 NEEDLE BEARING
3	96202-116-000	1 GEAR BOSS
4	94101-5676006	1 PLAIN WASHER
5	28410-116-001	1 ELECTRIC STARTER CLUTCH SET
6	23422-116-000	1 IDLER GEAR
7	96200-081210	1 NEEDLE BEARING
8	96300-080320	1 SHAFT IDLER
9	94101-0818008	3 PLAIN WASHER
10	11206-116-000	1 IDLER GEAR PLATE
11	91000-06010	2 HEX SOCKET BOLT
12	28250-116-000	1 STARTING SHAFT ASS'Y
13	28281-110-000	1 STARTING SHAFT RESET SPRING
14	96401-152030	1 BUSHING
15	94101-1528010	1 PLAIN WASHER
16	94511-1500S	1 EXTERNAL CIR CLIP
17	28300-104-000	1 KICK CRANK ASS'Y
18	96000-06025-10	1 HEX WASHER FACE BOLT
19	28230-104-000	1 KICK PINION ASS'Y
20	28223-104-000	1 KICK PINION SPRING CLIP
21	28411-116-001	3 CLUTCH ROLLER
22	28412-116-000	3 CLUTCH GUIDER
23	28413-116-001	3 CLUTCH SPRING
24	28400-116-001	1 ELECTRIC STARTER CLUTCH ASS'Y
25	92022-851618	1 WAVE WASHER

ERING

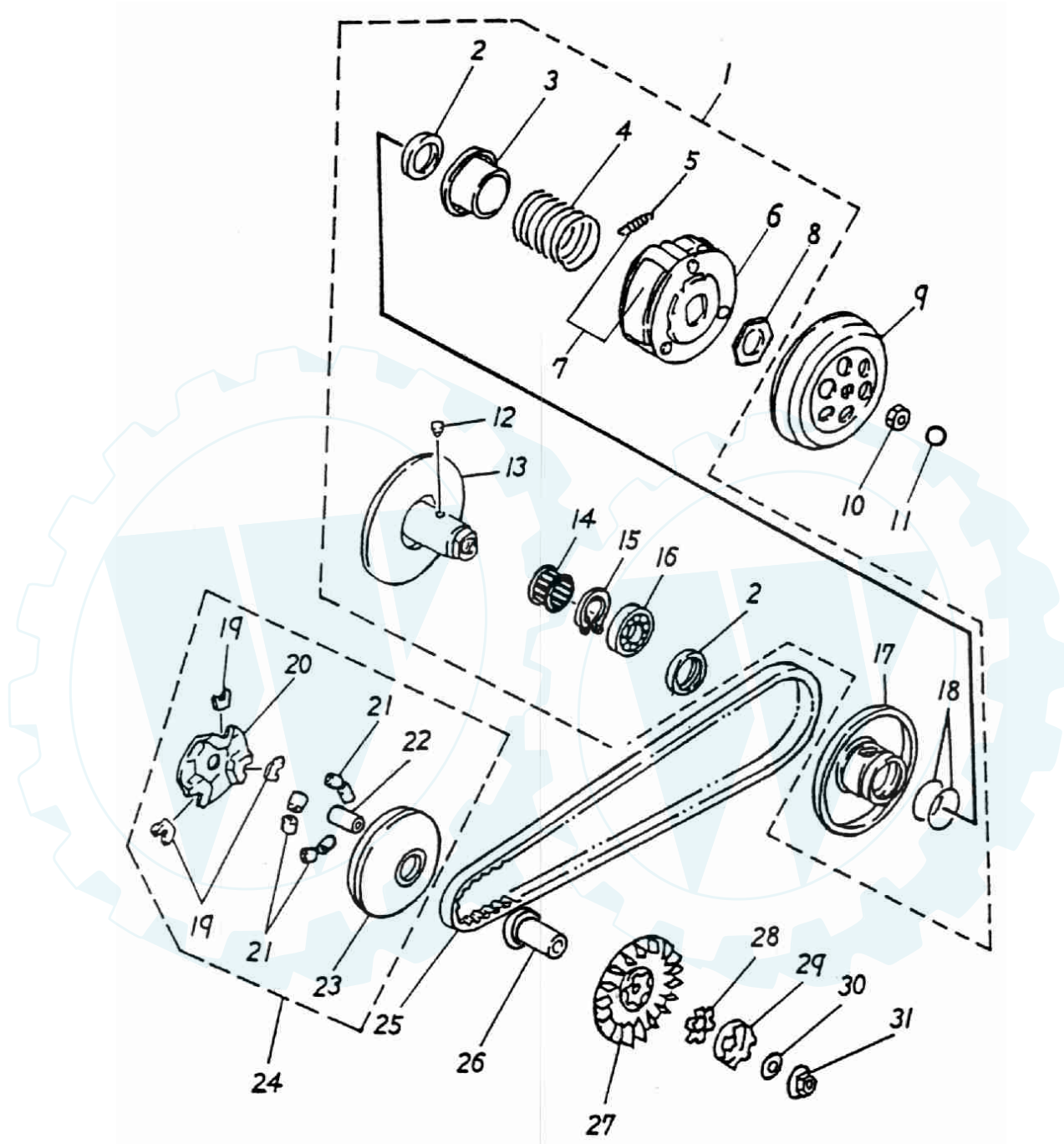
Silver Fox

Art. Nr.: 99389 blau, 99391 rot, 99382 schwarz



Blatt 1 von 2

Fliehkraftkupplung



ERING

Silver Fox

Art. Nr.: 99389 blau, 99391 rot, 99382 schwarz



Blatt 2 von 2

Fliehkraftkupplung

1	22000-116-000	1 DRIVE FACE ASS'Y
2	96500-33394	2 OIL SEAL
3	23237-116-000	1 SECONDARY SPRING SEAT
4	23233-116-000	1 COMPRESSION SPRING
5	22401-116-000	3 CLUTCH WEIGHT SPRING
6	22350-116-000	1 CLUTCH CARRIER
7	22535-116-000	1 CLUTCH WEIGHT SET
8	90202-116-000	1 NUT
9	22100-116-000	1 CLUTCH COVER COMP
10	94001-10000	1 HEX NUT
11	91313-104-000	1 OIL RING
12	23225-116-000	2 GUIDE PIN
13	23200-116-000	1 SECONDARY FIX SLOT WHEEL
14	96200-172518	1 NEEDLE BEARING
15	94512-240IR	1 INTERNAL CIR CLIP
16	96100-6901U	1 RADIAL BALL BEARING
17	23220-116-000	1 SECONDARY SLIDING SLOT WHEEL
18	91336-104-000	2 OIL RING
19	22132-104-000	3 CAM PLATE SLIDER
20	22131-116-000	1 CAM PLATE
21	22121-116-000	6 WEIGHT ROLLER
22	96401-182322	1 BUSHING
23	22110-116-000	1 PRIMARY SLIDING SLOT WHEEL
24	22103-116-000	1 SLIDING DRIVE FACE ASS'Y
25	23100-117-000	1 V-BELT
26	96401-131838A	1 BUSHING
27	22102-116-000	1 PRIMARY FIX SHEAVE
28	22150-110-000	1 LCAW WASHER
29	22140-110-000	1 ONEWAY CLUTCH
30	22145-104-000	1 CONE SPRING WASHER
31	94050-10000	1 HEX FLANGE NUT WITH SERRATION

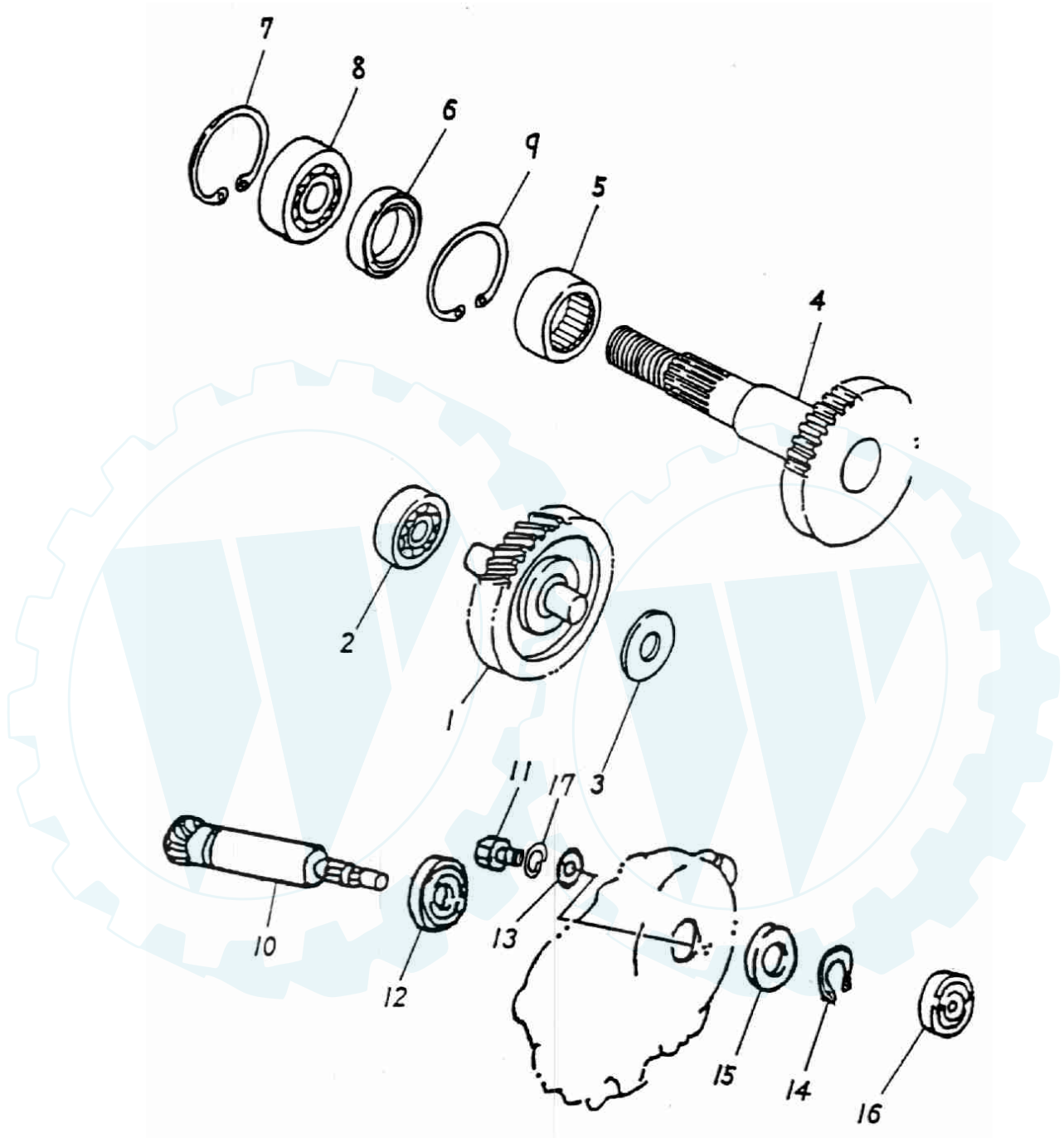
Silver Fox

Art. Nr.: 99389 blau, 99391 rot, 99382 schwarz



Blatt 1 von 2

Übersetzung



ERING

Silver Fox

Art. Nr.: 99389 blau, 99391 rot, 99382 schwarz



Blatt 2 von 2

Übersetzung

1	23420-116-000	1 MAIN AXLE COMP
2	96100-62010	1 RADIAL BALL BEARING
3	94101-1229016	1 PLAIN WASHER
4	23430-116-000	1 DRIVE AXLE
5	96200-253315	1 NEEDLE BEARING
6	96500-25356	1 OIL SEAL
7	94512-4300R	2 INTERNAL CIR CLIP
8	96100-6004U	1 RADIAL BALL BEARING
9	94512-3400R	1 INTERNAL CIR CLIP
10	23411-116-000	1 PRIMARY DRIVE GEAR
11	92000-06010-10	1 HEX BOLT
12	96100-60030	1 RADIAL BALL BEARING
13	94101-0620005	1 PLAIN WASHER
14	94511-1700S	1 EXTERNAL CIR CLIP
15	96500-17285	1 OIL SEAL
16	96100-638RD	1 RADIAL BALL BEARING
17	94111-0612015	1 SPRING WASHER

ERING

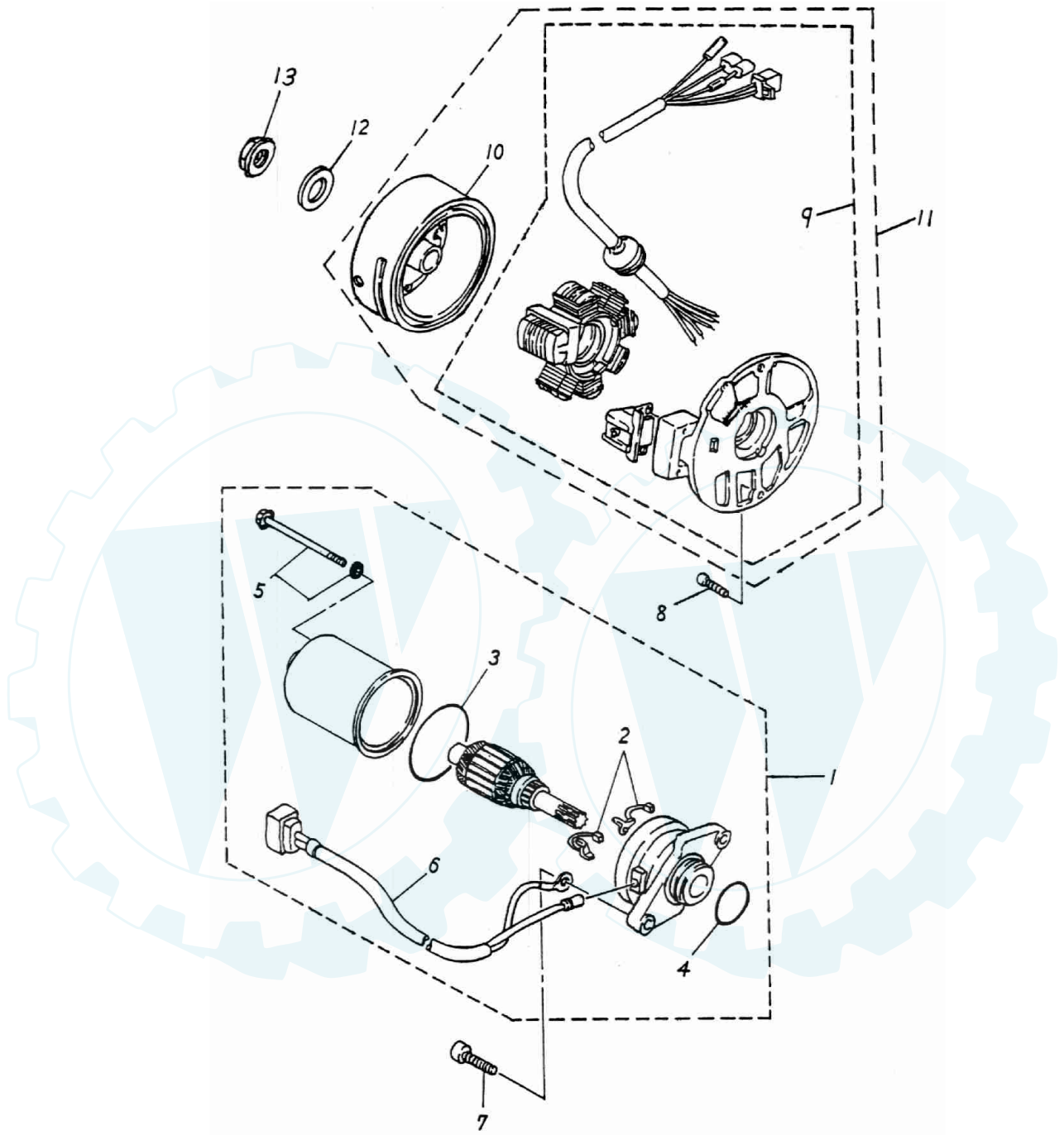
Silver Fox

Art. Nr.: 99389 blau, 99391 rot, 99382 schwarz



Blatt 1 von 2

Anlasser



ERING

Silver Fox

Art. Nr.: 99389 blau, 99391 rot, 99382 schwarz



Blatt 2 von 2

Anlasser

1	31200-116-000	1 STARTING MOTOR ASS'Y
2	31201-104-000	1 BRUSH SET
3	91342-104-000	1 OIL RING
4	91323-104-000	1 OIL RING
5	90115-104-000	2 BOLT SET
6	31202-116-000	1 CORD COMP.
7	91000-06020	2 HEX SOCKET BOLT
8	91000-06015	2 HEX SOCKET BOLT
9	31120-116-000	1 STATOR COMP.
10	31110-116-000	1 GENERATOR FACE FLYWHEEL
11	31100-116-000	1 GENERATOR ASS'Y
12	94101-1022020	1 PLAIN WASHER
13	94050-10000	1 HEX FLANGE NUT WITH SERRATION

ERING

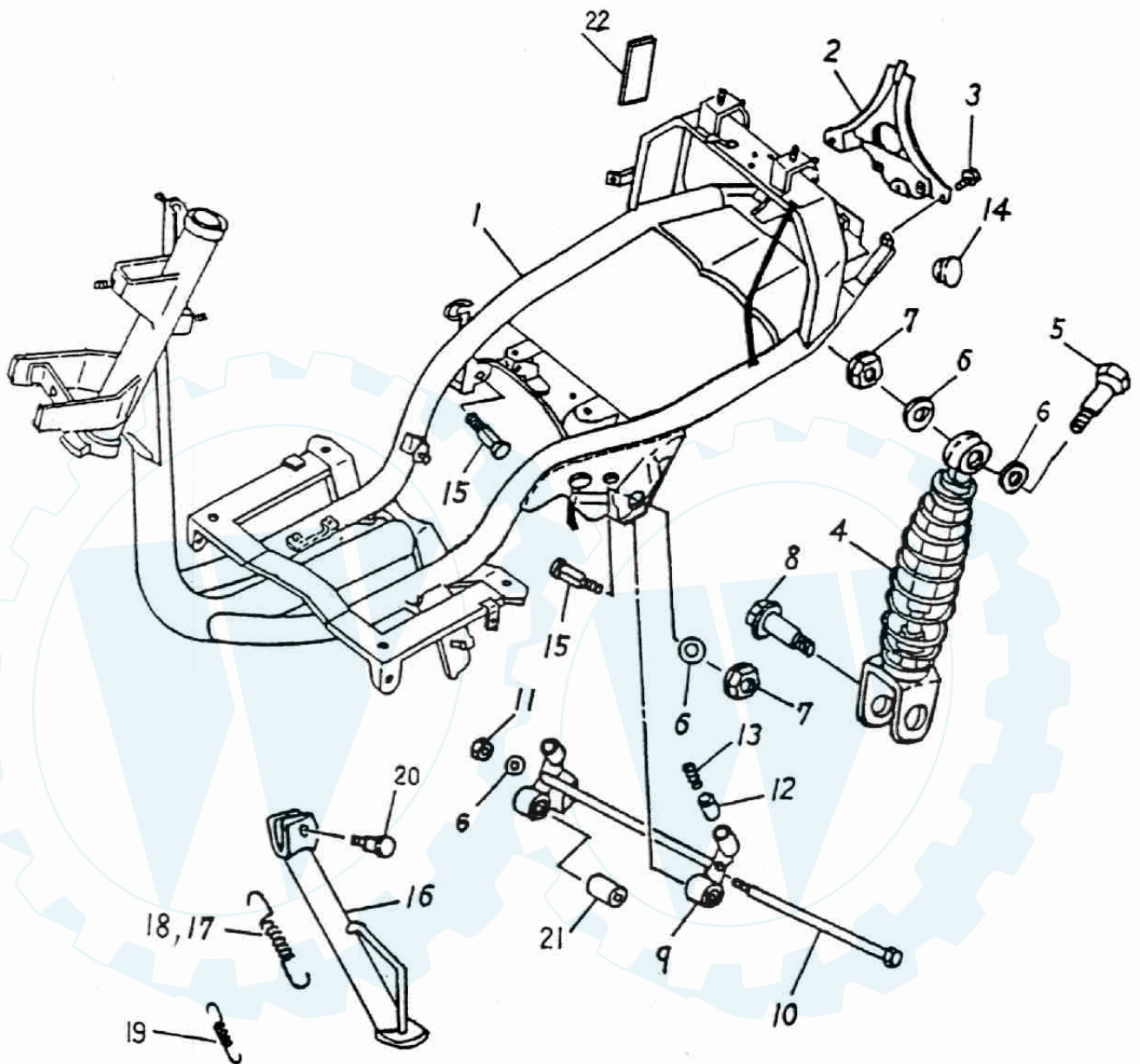
Silver Fox

Art. Nr.: 99389 blau, 99391 rot, 99382 schwarz



Blatt 1 von 2

Rahmen



ERING

Silver Fox

Art. Nr.: 99389 blau, 99391 rot, 99382 schwarz



Blatt 2 von 2

Rahmen

1	50100-141-000	1	FRAME COMP
2	50357-116-000	1	TAIL LIGHT FIX BRACKET
3	92000-06018-10	3	HEX BOLT
4	52400-116-001	1	REAR CUSHION ASS'Y
5	92000-10040-17	1	HEX BOLT
6	94101-1022015	4	PLAIN WASHER
7	90350-10000	3	NUT NYLON
8	96000-08032-12	1	HEX WASHER FACE BOLT
9	50350-116-000	1	ENGINE BRACKET ASS'Y
10	96000-12250-21	1	HEX WASHER FACE BOLT
11	90350-12000	1	NYLON INSERT LOCK NUT
12	50352-104-000	2	BRACKET SNUBBER RUBBER
13	50351-104-000	2	BRACKET SNUBBER SPRING
14	96421-116-000	2	RUBBER CAP
15	90103-116-000	2	ENGINE MOUNTING SQUARE BOLT
16	50530-116-000	1	SIDE STAND
17	95014-116-000	1	SIDE STAND RESET SPRING
18	95014-71404	1	SIDE STAND RESET SPRING
19	95014-71404-0A	1	SIDE STAND RESET SPRING (SMALL)
20	90108-116-000	1	HEX BOLT
21	96400-103030	2	RUBBER BUSHING
22	50110-116-000	1	ALUMINUM PLATE

ERING

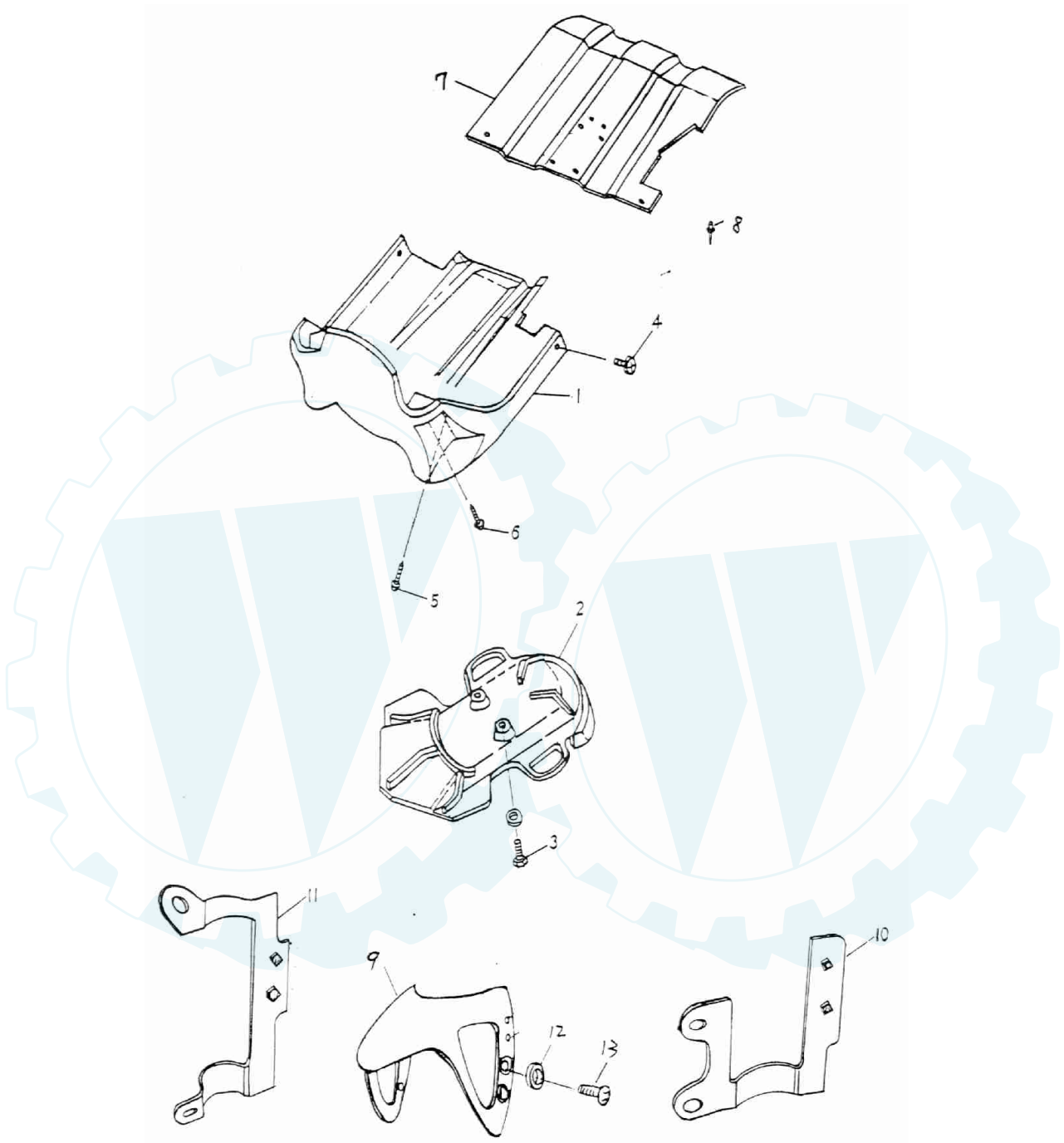
Silver Fox

Art. Nr.: 99389 blau, 99391 rot, 99382 schwarz



Blatt 1 von 2

Schutzblech vorne



ERING

Silver Fox

Art. Nr.: 99389 blau, 99391 rot, 99382 schwarz



Schutzblech vorne

1	50150-116-000	1 COWLING (METAL GRAY)
2	61105-110-000	1 FRONT FENDER (INNER)
3	92000-06018-10	2 HEX BOLT
4	93701-06018	2 PAN FLAT HEAD PHILLIPS BOLT
5	93903-05012	2 TAPPING SCREW TRUSS HEAD PHILLIPS
6	93903-05016	2 TAPPING SCREW TRUSS HEAD PHILLIPS
7	50151-116-000	1 COWLING PROTECTOR
8	90662-105-000	8 RIVET
9	61100-125-000	1 FRONT FENDER (Ver. 1)
10	61103-116-000	1 L. BRACKET FOR FRONT FENDER
11	61104-116-000	1 R. BRACKET FOR FRONT FENDER
12	94101-0615010	4 PLAIN WASHER
13	93500-06015	4 PAN PHILLIPS BOLT



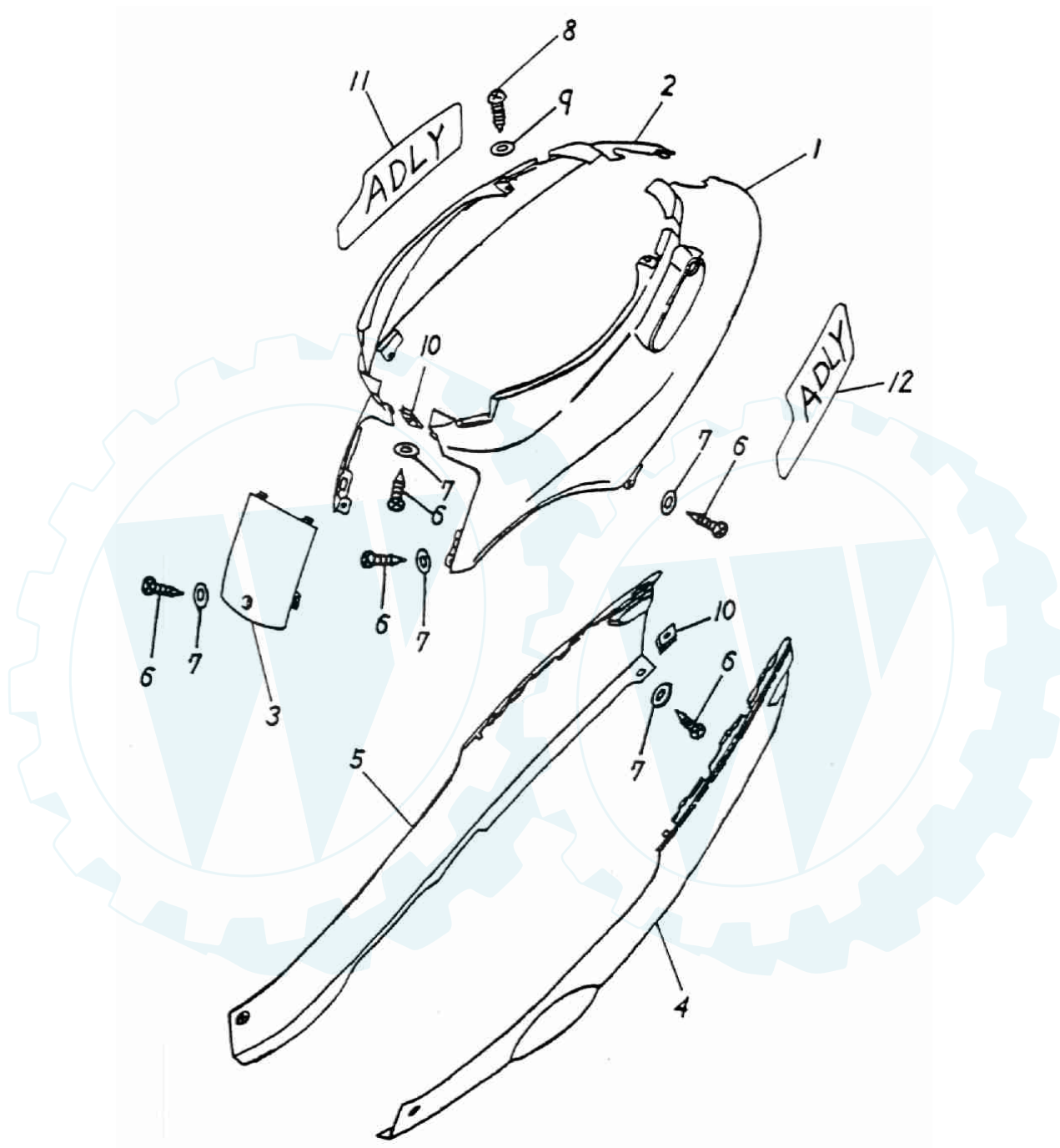
Silver Fox

Art. Nr.: 99389 blau, 99391 rot, 99382 schwarz



Blatt 1 von 2

Verkleidung Heck



ERING

Silver Fox

Art. Nr.: 99389 blau, 99391 rot, 99382 schwarz



Blatt 2 von 2

Verkleidung Heck

1	83600-116-000	1 LEFT BODY COVER
2	83500-116-000	1 RIGHT BODY COVER
3	31506-116-000	1 BODY CENTER COVER
4	83603-116-000	1 LEFT SIDE COVER (METAL GARY)
5	83503-116-000	1 RIGHT SIDE COVER (METAL GARY)
6	93903-04012	8 TAPPING SCREW TRUSS HEAD PHILLIPS
7	94101-0412010	8 PLAIN WASHER
8	93903-05016	2 TAPPING SCREW TRUSS HEAD PHILLIPS
9	94101-0514010	2 PLAIN WASHER
10	90344-04000	3 U PLATE NUT
11	87730-116-000	1 RIGHT SIDE COVER STICKER
12	87731-116-000	1 LEFT SIDE COVER STICKER

ERING

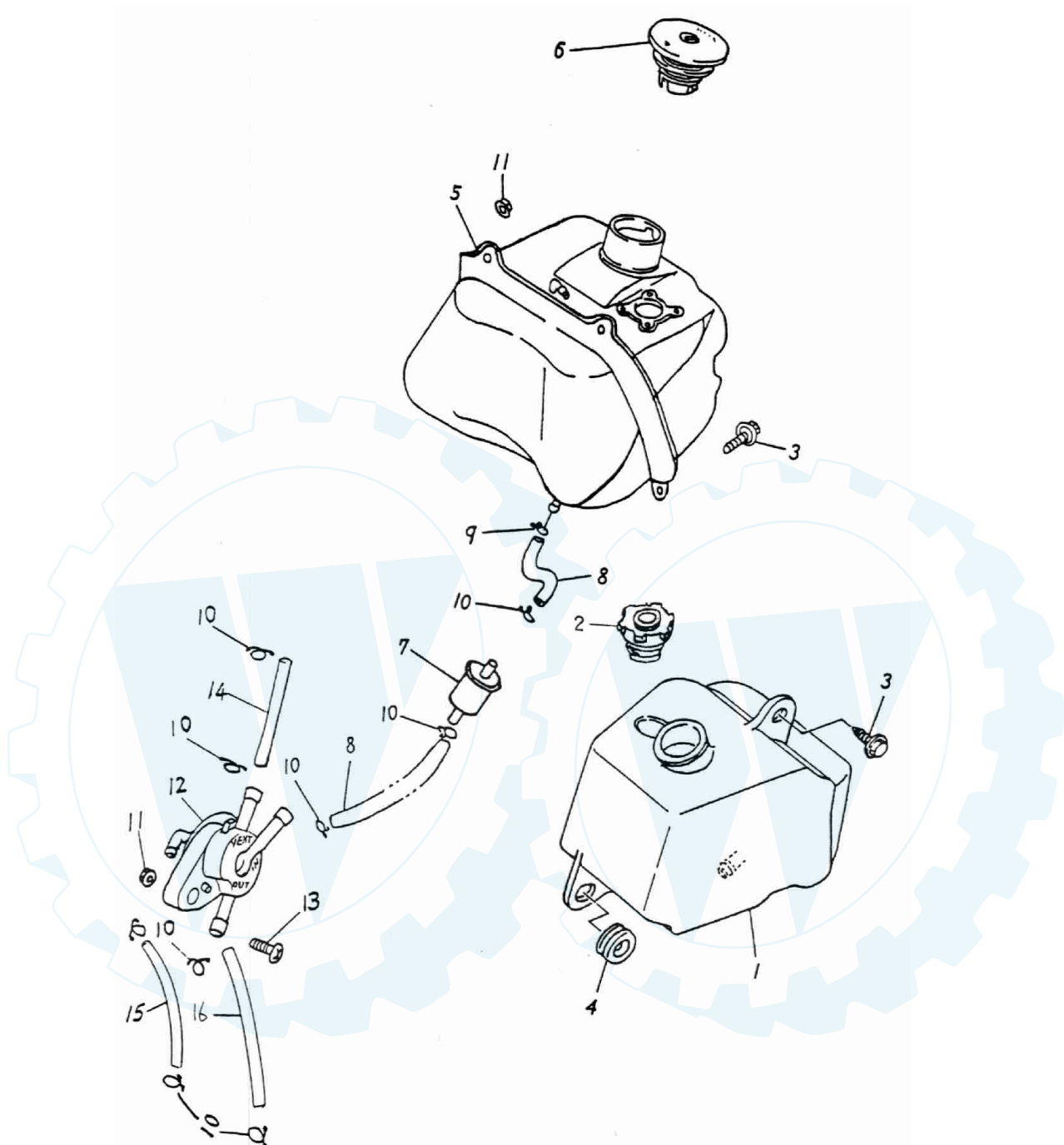
Silver Fox

Art. Nr.: 99389 blau, 99391 rot, 99382 schwarz



Blatt 1 von 2

Benzin- und Öltank



ERING

Silver Fox

Art. Nr.: 99389 blau, 99391 rot, 99382 schwarz



Blatt 2 von 2

Benzin- und Öltank

1	55100-116-000	1 OIL TANK
2	55105-101-000	1 OIL TANK CAP
3	92000-06018-10	2 HEX BOLT
4	83553-116-000	2 GROMMET
5	17500-116-000	1 FUEL TANK COMP
6	17620-116-001	1 FUEL TANK CAP
7	16952-101-000	1 PETROL FILTER
8	94400-0408060	2 TUBE
9	94510-10500	1 CLIP
10	94510-08000	9 CLIP
11	94050-06000	3 HEX FLANGE NUT WITH SERRATION
12	16950-116-000	1 FUEL CUP
13	93701-06015	1 PAN FLAT HEAD PHILLIPS BOLT
14	94400-0408A420	1 TUBE
15	94400-0307210	1 TUBE
16	94400-0408190	1 TUBE

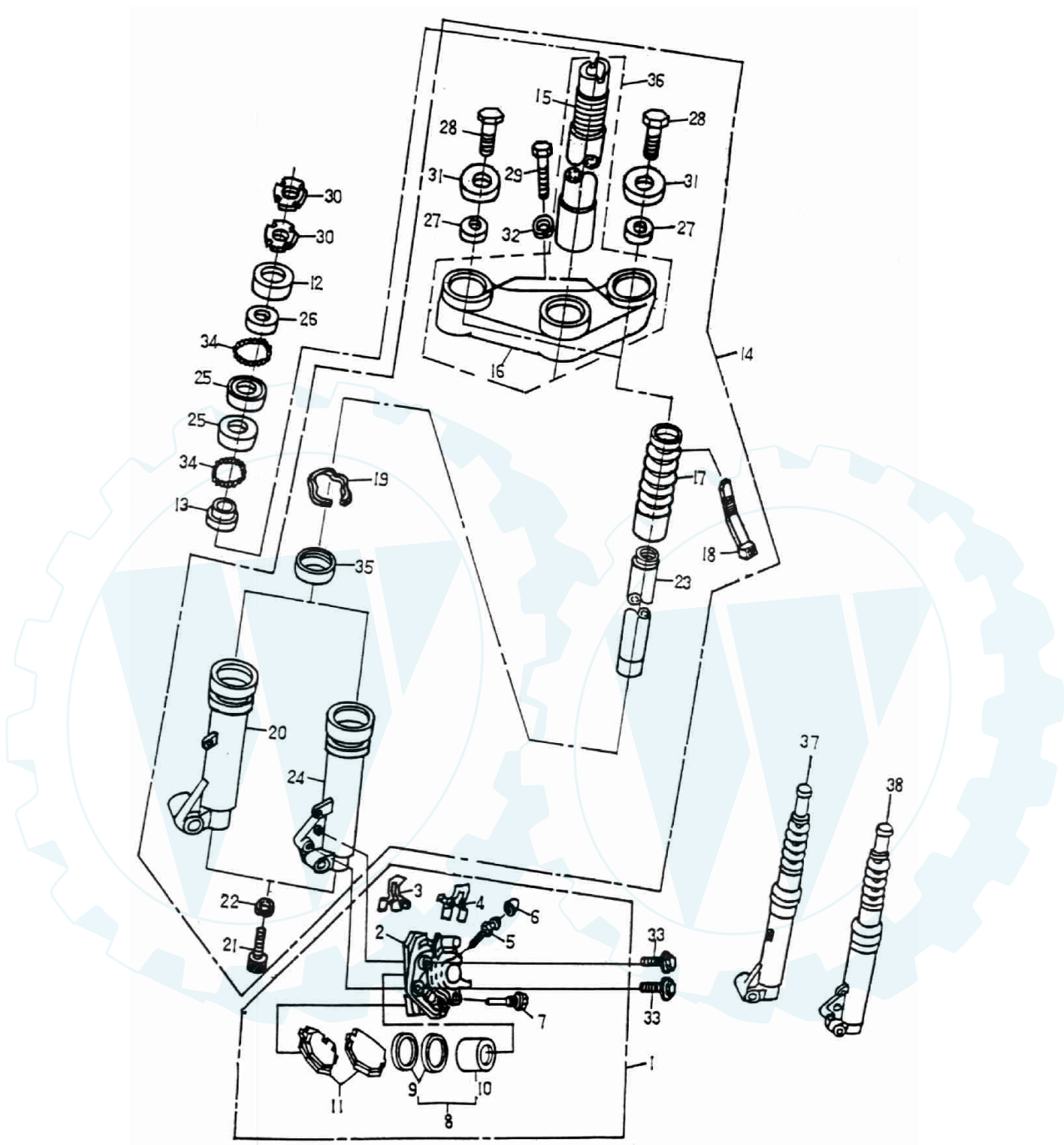
ERING

Silver Fox

Art. Nr.: 99389 blau, 99391 rot, 99382 schwarz



Vordergabel mit Bremse



Silver Fox

Art. Nr.: 99389 blau, 99391 rot, 99382 schwarz



Blatt 2 von 3

Vordergabel mit Bremse

1	45000-107-001	1 FRONT BRAKE CALIPER ASS'Y
2	45010-107-000	1 FRONT BRAKE CALIPER
3	45021-107-000	1 UPPER SNUBBER SUPPORT (SMALL)
4	45026-107-000	1 LOWER SNUBBER SUPPORT (BIG)
5	45031-107-000	1 BREED SCREW KIT
6	45033-107-000	1 BREED SCREW KIT RUBBER SHROUD
7	45036-107-000	1 CALIPER SET BOLT
8	45040-107-000	1 CALIPER PISTOW ASS'Y
9	45043-107-000	1 CALIPER OIL SEAL KIT
10	45046-107-000	1 CALIPER PISTOW
11	45120-107-001	1 FRONT BRAKE PAD KIT
12	50301-101-000	1 STEERING STEM DUST COVER
13	53215-101-000	1 RACE, BALL #5
14	51100-109-000	1 FRONT FORK ASS'Y
15	51107-107-000	1 STEERING STEM COMP
16	51108-109-000	1 UNDER BRACKET
17	51123-107-000	2 RUBBER SHROUD
18	51124-107-000	2 CABLE STRAT
19	51141-107-000	2 SPRING CIRCLIP
20	51510-107-000	1 R. OUTER TUBE
21	51513-107-000	2 HEX SOCKET BOLT
22	51514-107-000	2 SPRING WASHER
23	51520-107-000	2 INNER TUBE COMP
24	51610-107-000	1 L. OUTER TUBE
25	53213-101-000	2 LATHE STRG INNER #3
26	53212-101-000	1 LATE CONE STRG TOP #2
27	91310-107-000	2 OIL RING
28	92000-10022-17	2 HEX BOLT
29	92000-10036-14	2 HEX BOLT
30	94071-25000	2 SPANER NUT
31	94101-1032020	2 PLAIN WASHER

ERING

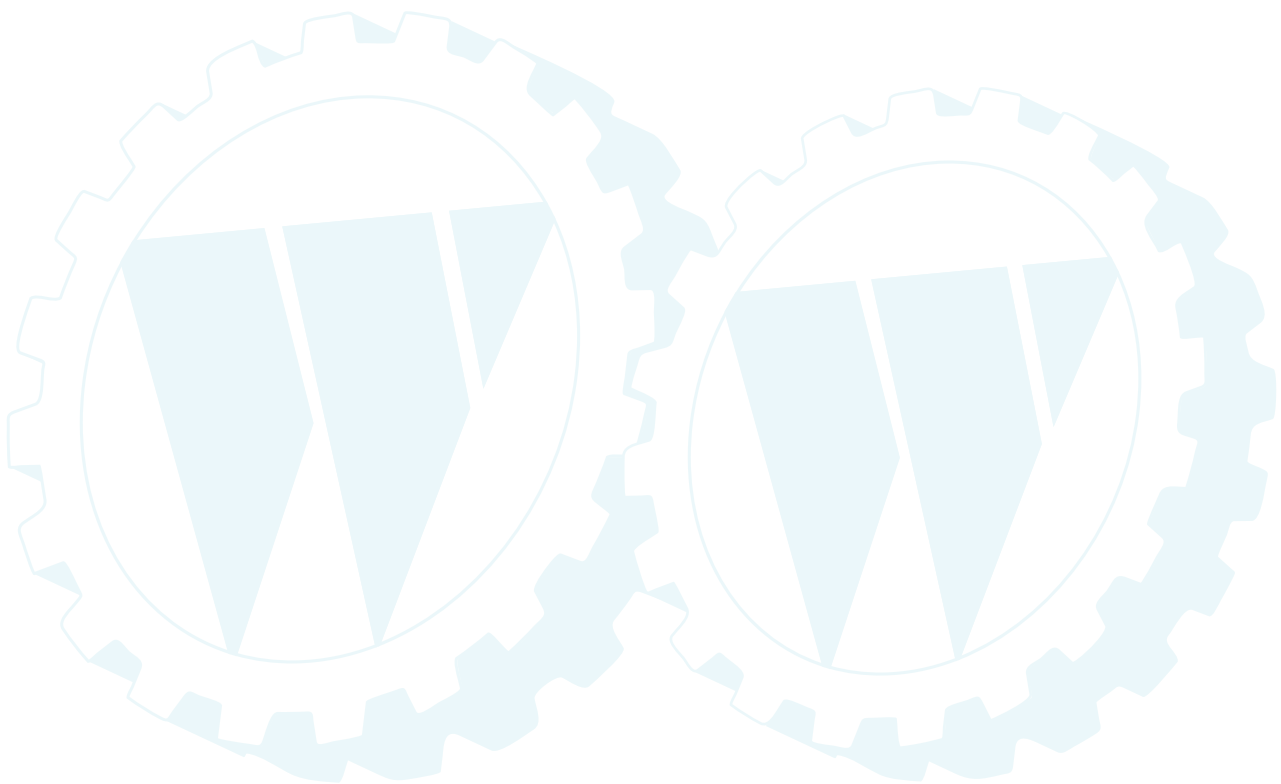
Silver Fox

Art. Nr.: 99389 blau, 99391 rot, 99382 schwarz



Vordergabel mit Bremse

32	94111-1017025	2 SPRING WASHER
33	96000-08034-12	2 HEX WASHER FACE BOLT
34	96211-101-000	2 STEEL BALL
35	96500-2637105	2 OIL SEAL
36	51109-109-000	1 STEERING STEM WITH BRACKET ASS'Y
37	53030-107-000	1 RIGHT TUBE ASS'Y
38	53130-107-000	1 LEFT TUBE ASS'Y



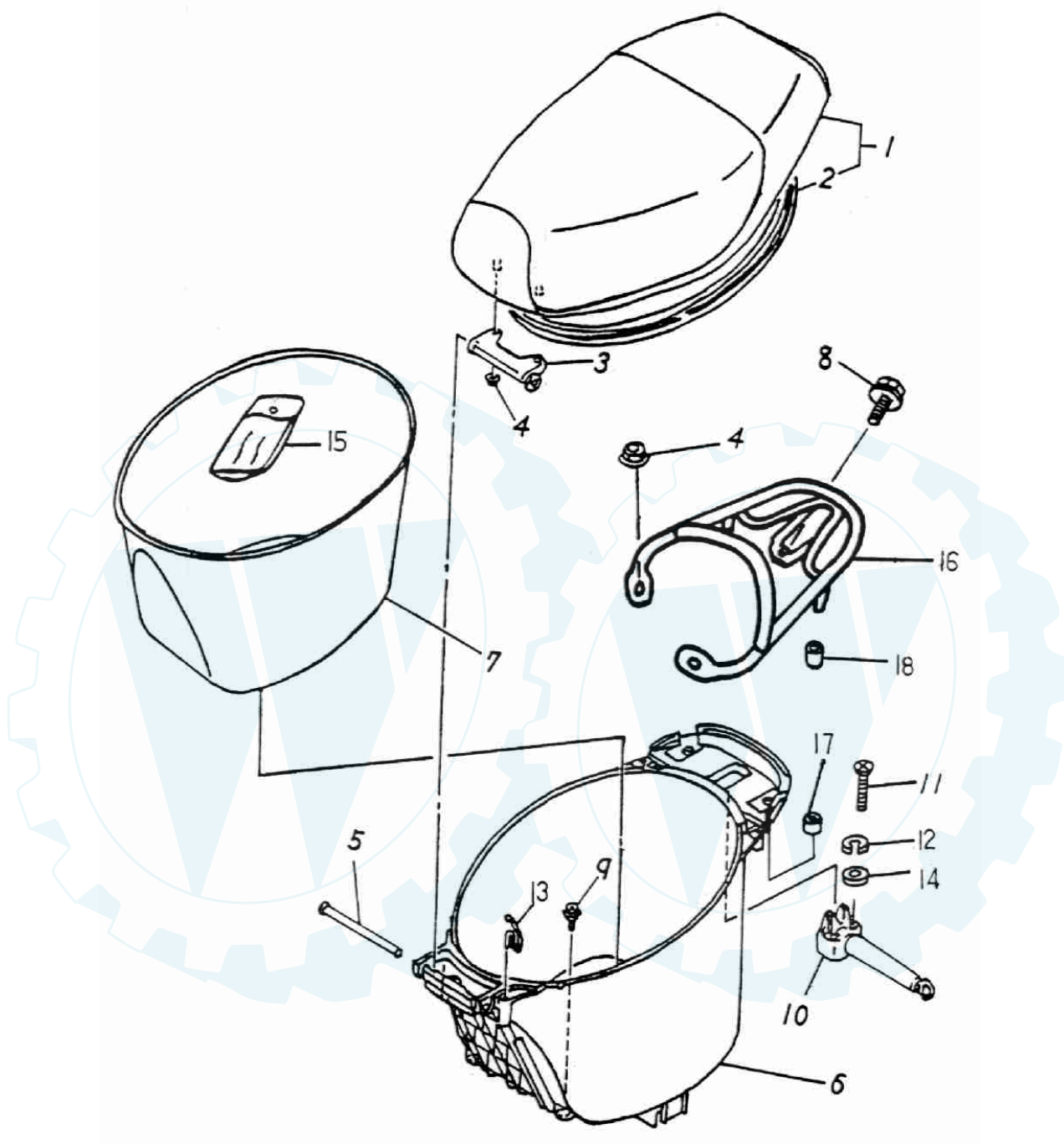
Silver Fox

Art. Nr.: 99389 blau, 99391 rot, 99382 schwarz



Blatt 1 von 2

Sitzbank und Helmfach



ERING

Silver Fox

Art. Nr.: 99389 blau, 99391 rot, 99382 schwarz



Blatt 2 von 2

Sitzbank und Helmfach

1	77200-116-00C	1 SEAT 55CM (NEW)
2	77209-116-000	1 SEAL
3	77201-116-000	1 SEAT BRACKET
4	94050-06000	4 HEX FLANGE NUT WITH SERRATION
5	77203-116-000	1 SEAT FIX SHAFT
6	77207-116-001	1 HELMET BOX
7	77208-116-000	1 HELMET BOX MAT
8	96000-08015-12	1 HEX WASHER FACE BOLT
9	96000-06018-10	2 HEX WASHER FACE BOLT
10	77230-116-000	1 SEAT LOCK ASS'Y
11	93500-06035	2 PAN PHILLIPS BOLT
12	94111-0612015	2 SPRING WASHER
13	77106-116-000	1 HELMET HOOK
14	94101-0613010	2 PLAIN WASHER
15	50120-101-000	1 TOOL BAG
16	81200-116-000	1 LUGGAGE CARRIER SET
17	81203-116-000	1 SPACE TUBE
18	81204-116-000	1 RUBBER HAT

ERING

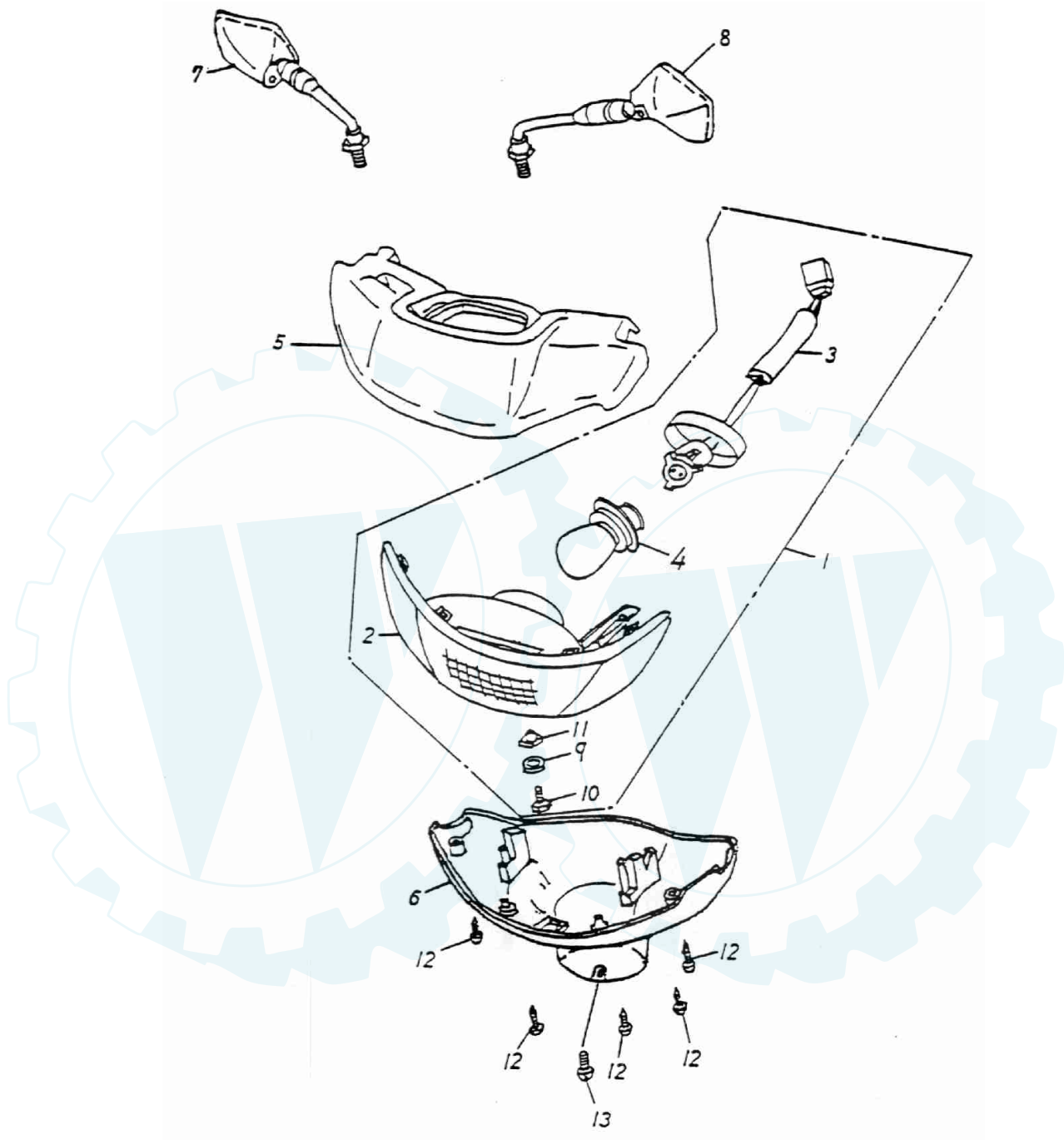
Silver Fox

Art. Nr.: 99389 blau, 99391 rot, 99382 schwarz



Blatt 1 von 2

Scheinwerfer, Cockpit und Spiegel



ERING

Silver Fox

Art. Nr.: 99389 blau, 99391 rot, 99382 schwarz



Blatt 2 von 2

Scheinwerfer, Cockpit und Spiegel

1	33100-111-00C	1 HEAD LIGHT ASS'Y
2	33110-111-00C	1 HEAD LIGHT COVER
3	33111-111-00A	1 HEAD LIGHT SOCKET (K-MARK)
4	34901-110-00A	1 HEAD LIGHT BULB (E-MARK)
5	64211-111-000	1 HEAD LIGHT CASE
6	53205-116-000	1 SPEEDMETER CASE
7	88110-116-001	1 R.BACK VIEW MIRROR
8	88120-116-001	1 L.BACK VIEW MIRROR
9	94101-0512008	1 PLAIN WASHER
10	92001-05012-08	1 HEX HEAD PHILLIPS BOLT
11	94002-05000	1 SQUARE NUT
12	93903-05016	6 TAPPING SCREW TRUSS HEAD PHILLPS
13	93500-05012	1 PAN PHILLIPS BOLT

ERING

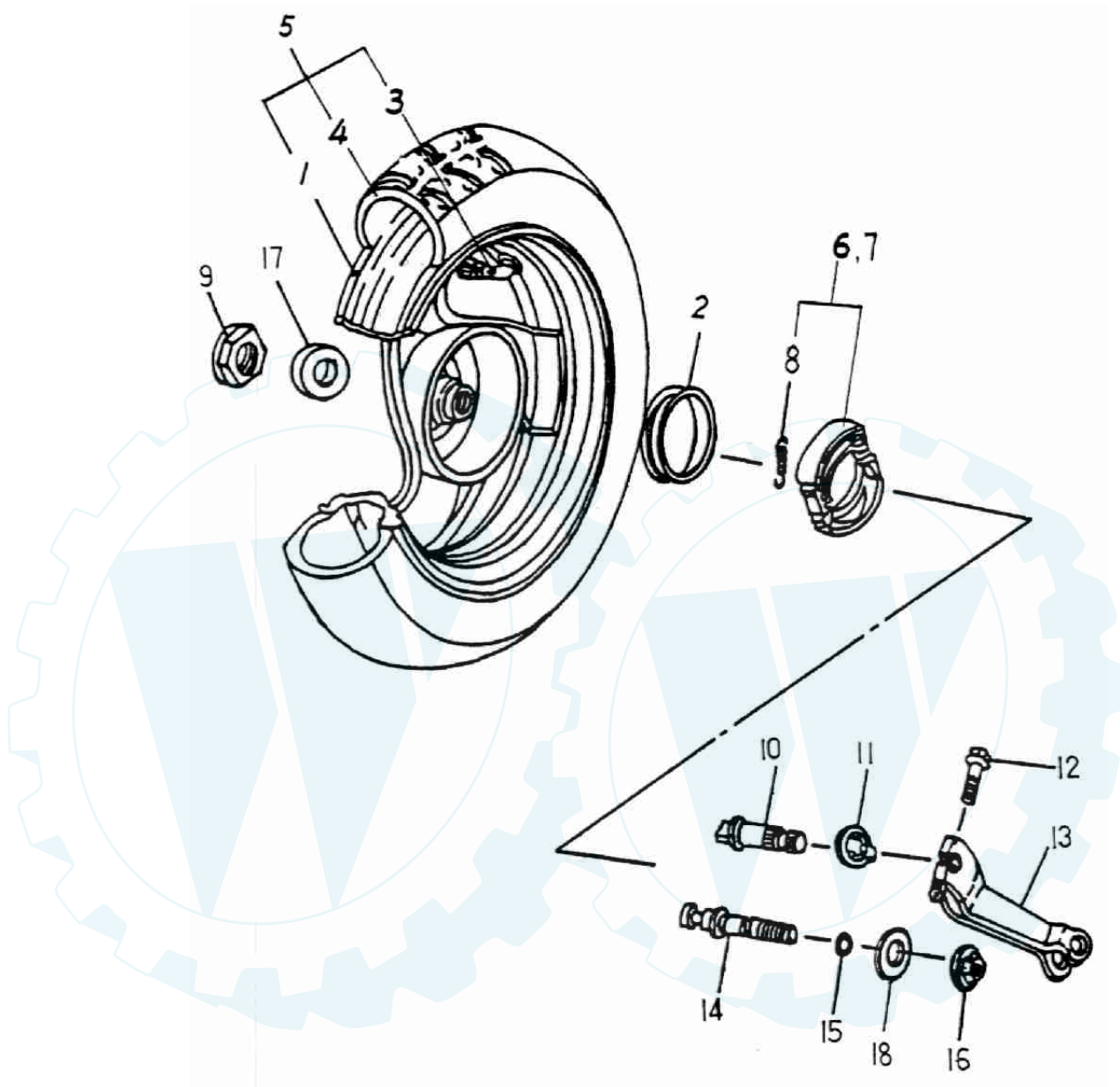
Silver Fox

Art. Nr.: 99389 blau, 99391 rot, 99382 schwarz



Blatt 1 von 2

Hinterrad mit Bremsbacken



ERING

Silver Fox

Art. Nr.: 99389 blau, 99391 rot, 99382 schwarz



Blatt 2 von 2

Hinterrad mit Bremsbacken

1	42801-116-000	1 REAR RIM
2	42611-104-000	1 RING#2 (REAR WHEEL)
3	42616-104-000	1 AIR NOZZLE
4	42811-109-000	1 REAR TIRE
5	42812-116-000	1 REAR TIRE SET
6	43120-104-000	1 REAR BRAKE SHOE ASS'Y
7	43120-104-00A	1 FRONT BRAKE PAD KIT
8	43151-104-000	2 REAR BRAKE SHOE STRAIN SPRING
9	90350-14000	1 NUT NYLON
10	43141-101-001	1 BRAKE CAM SHAFT
11	43145-104-000	1 INDICATOR PLATE
12	96000-06030-10	1 HEX WASHER FACE BOLT
13	43410-116-000	1 REAR BRAKE ARM
14	45110-116-000	1 REAR BRAKE FIX SHAFT
15	91307-101-000	1 OIL RING
16	94050-08000	1 HEX FLANGE NUT WITH SERRATION
17	94101-1529030	1 PLAIN WASHER
18	94101-0815015	1 PLAIN WASHER

ERING

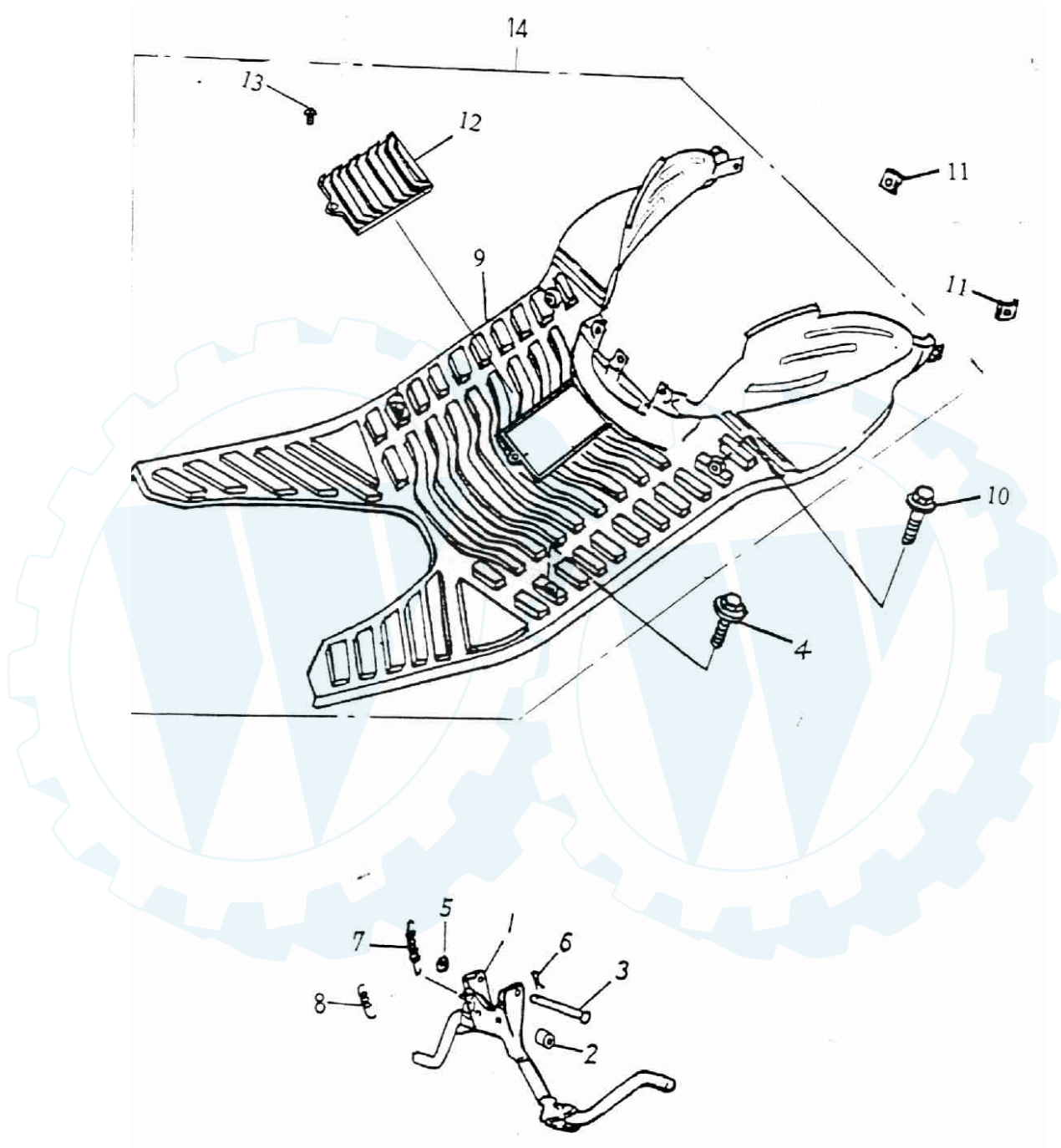
Silver Fox

Art. Nr.: 99389 blau, 99391 rot, 99382 schwarz



Blatt 1 von 2

Trittbrett und Hauptständer



ERING

Silver Fox

Art. Nr.: 99389 blau, 99391 rot, 99382 schwarz



Blatt 2 von 2

Trittbrett und Hauptständer

1	50500-116-000	1 MAIN STAND COMP
2	95011-101-000	1 RUBBER
3	50503-116-000	1 MAIN STAND FIX SHAFT
4	92000-06018-10	2 HEX BOLT
5	94101-1018005	1 PLAIN WASHER
6	94201-20250	1 COTTER PIN
7	95014-71602	1 MAIN STAND RESET SPRING
8	95014-71602-0A	1 MAIN STAND RESET SMALL SPRING
9	64310-116-001	1 FLOOR PANEL
10	92000-06030-10	2 HEX BOLT
11	90344-04000	5 U PLATE NUT
12	64311-116-000	1 BATTERY COVER
13	93701-06010	1 PAN FLAT HEAD PHILLIPS BOLT
14	64310-116-000	1 FLOOR PANEL ASS'Y(W/BATTERY COVER)

ERING

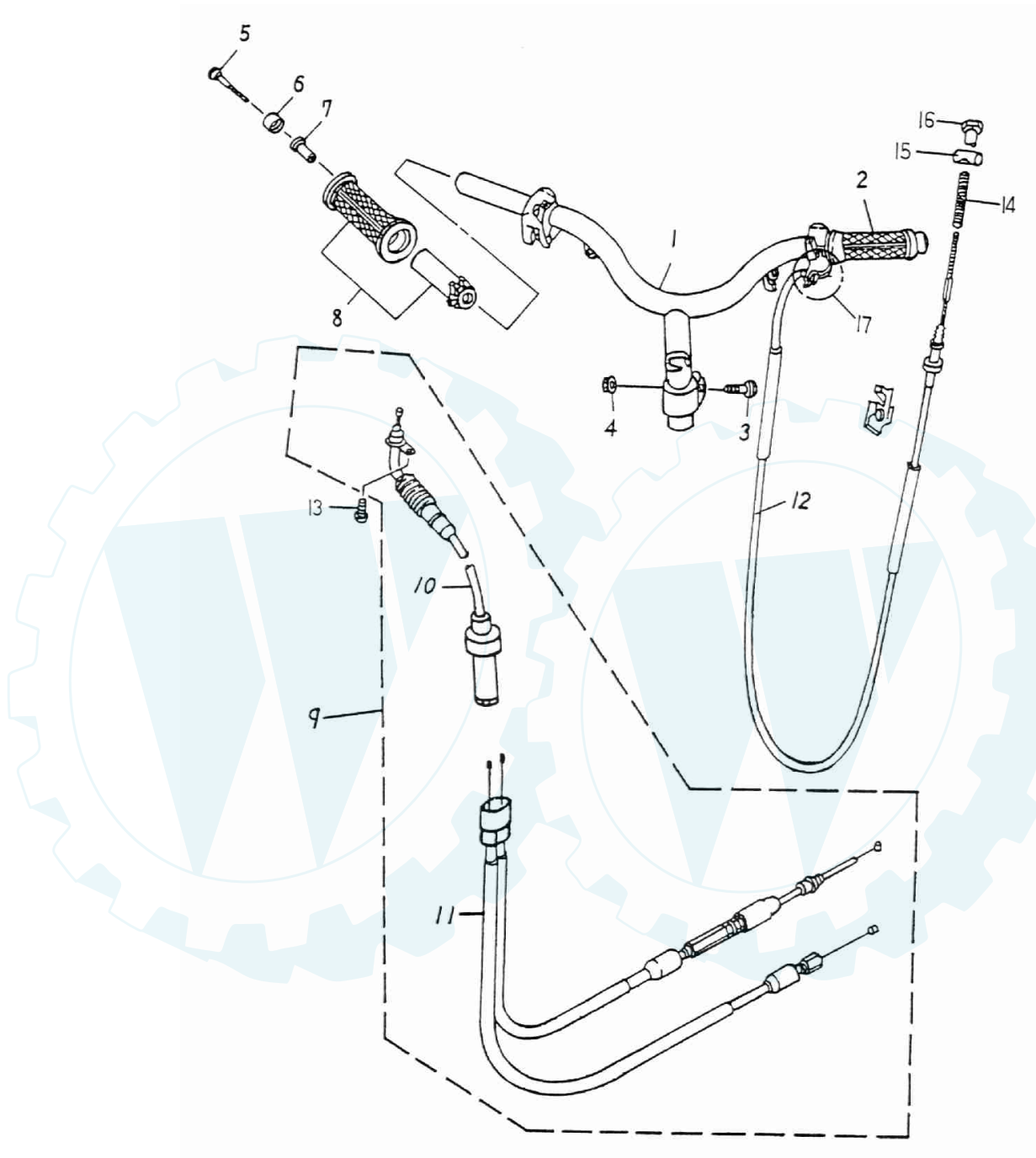
Silver Fox

Art. Nr.: 99389 blau, 99391 rot, 99382 schwarz



Blatt 1 von 2

Lenker, Gas- und Bremszug



ERING

Silver Fox

Art. Nr.: 99389 blau, 99391 rot, 99382 schwarz



Blatt 2 von 2

Lenker, Gas- und Bremszug

1	53100-111-000	1 HANDLE BAR
2	53166-107-000	1 L.HANDLE GRIP
3	96000-10045-14	1 HEX WASHER FACE BOLT
4	94050-10000	1 HEX FLANGE NUT WITH SERRATION
5	93902-06045	2 FLAT HEAD PHILLIPS BOLT
6	53116-107-000	2 GRIP END
7	53111-107-000	2 GRIP END SPACER TUBE
8	53165-107-000	1 R.HANDLE GRIP COMP
9	17910-116-000	1 THROTTLE CABLE
10	17930-116-000	1 THROTTLE FRONT CABLE
11	17920-116-000	1 THROTTLE REAR CABLE
12	43450-111-001	1 REAR BRAKE CABLE
13	93500-05010	1 PAN PHILLIPS BOLT
14	43472-110-00A	1
15	95015-31001	1 REAR BRAKE FIXTURE
16	95015-41000	1 REAR BRAKE ADJUST NUT
17	35201-107-000	1 RUBBER PRDTECTOR

ERING

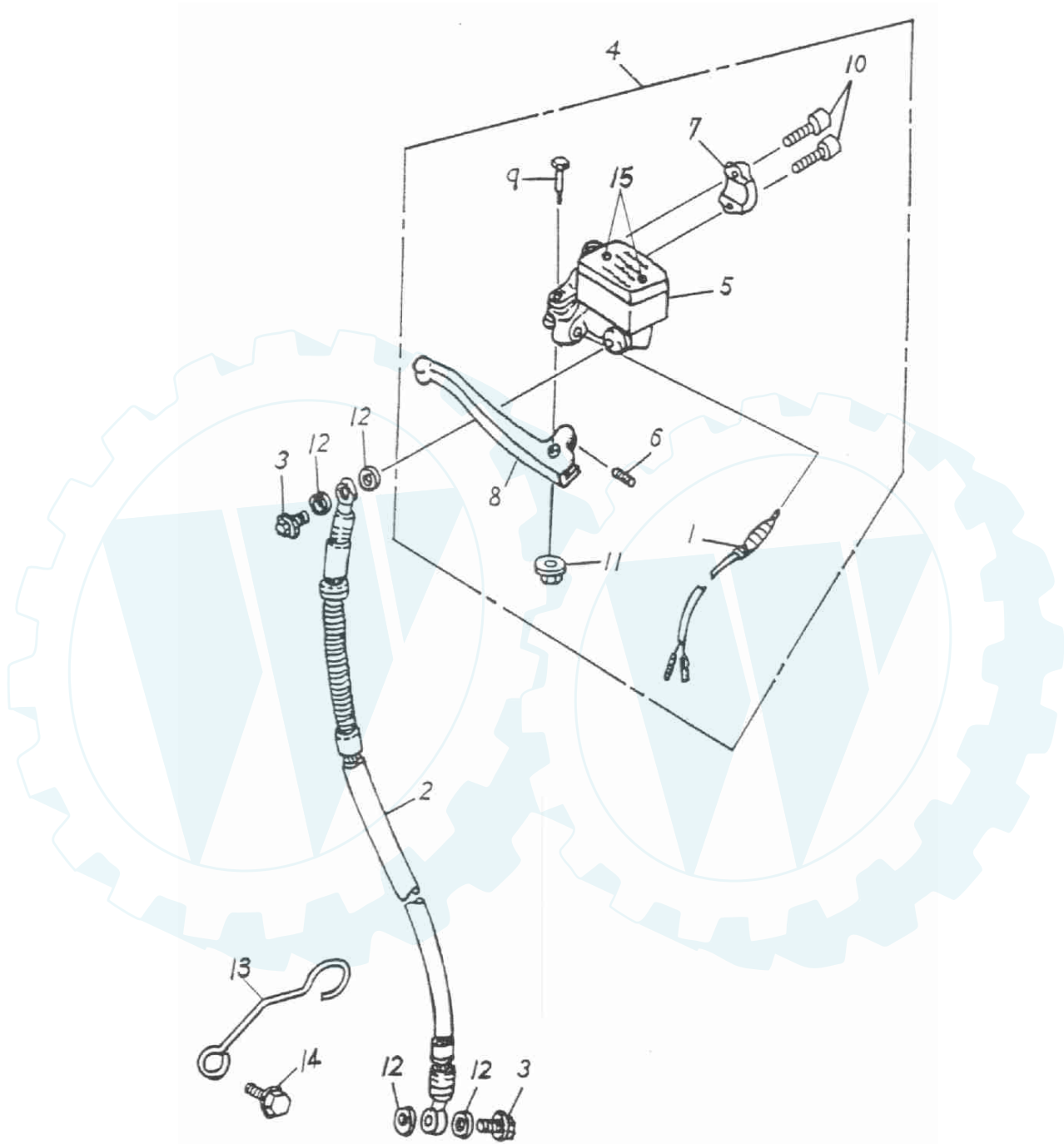
Silver Fox

Art. Nr.: 99389 blau, 99391 rot, 99382 schwarz



Blatt 1 von 2

Bremszylinder, Griff und Leitung



ERING

Silver Fox

Art. Nr.: 99389 blau, 99391 rot, 99382 schwarz



Blatt 2 von 2

Bremszylinder, Griff und Leitung

1	35340-107-000	1 R.BRAKE SWITCH WIRE
2	45450-111-000	1 BRAKE HOSE
3	45456-107-000	2 BRAKE HOSE SET BOLT
4	45500-107-000	1 MASTER CYLINDER SUB ASS'Y
5	45510-107-000	1 MASTER CYLINDER SUB
6	45515-107-000	1 LEVER RESET SPRING
7	53174-107-000	1 MASTER CYLINDER BRACKET
8	53175-107-000	1 RIGHT LEVER
9	90115-107-000	1 RIGHT LEVER SET BOLT
10	91000-06025	2 HEX SOCKET BOLT
11	94050-06000	1 HEX FLANGE NUT WITH SERRATION
12	94101-1014510	4 COPPER PLAIN WASHER
13	45451-118-000	1 BRAKE HOSE BRACKET
14	92000-06018-10	1 HEX BOLT
15	45465-107-000	2 FLAT HEAD SCREW

ERING

Silver Fox

Art. Nr.: 99389 blau, 99391 rot, 99382 schwarz



Blatt 1 von 2

Verkleidung Front



ERING

Silver Fox

Art. Nr.: 99389 blau, 99391 rot, 99382 schwarz



Blatt 2 von 2

Verkleidung Front

1	64301-139-000	1 FRONT COVER
2	81131-116-000	1 INNER BOX
3	81141-116-000	1 INNER BOX LID
4	81142-101-000	1 INNER BOX LOCK
5	81144-105-000	2 INNER BOX LID BRACKET
6	81203-101-000	1 INNER BOX LID GASKET
7	87701-141-000	1 FRONT COVER STICKER
8	93903-04012	2 TAPPING SCREW TRUSS HEAD PHILLIPS
9	93903-05012	4 TAPPING SCREW TRUSS HEAD PHILLIPS
10	93903-05016	2 TAPPING SCREW TRUSS HEAD PHILLIPS
11	94001-06000	1 HEX NUT
12	94021-06000	1 ACORN CAP NUT
13	94101-0614020	1 PLAIN WASHER
14	94101-0619010	1 PLAIN WASHER

ERING

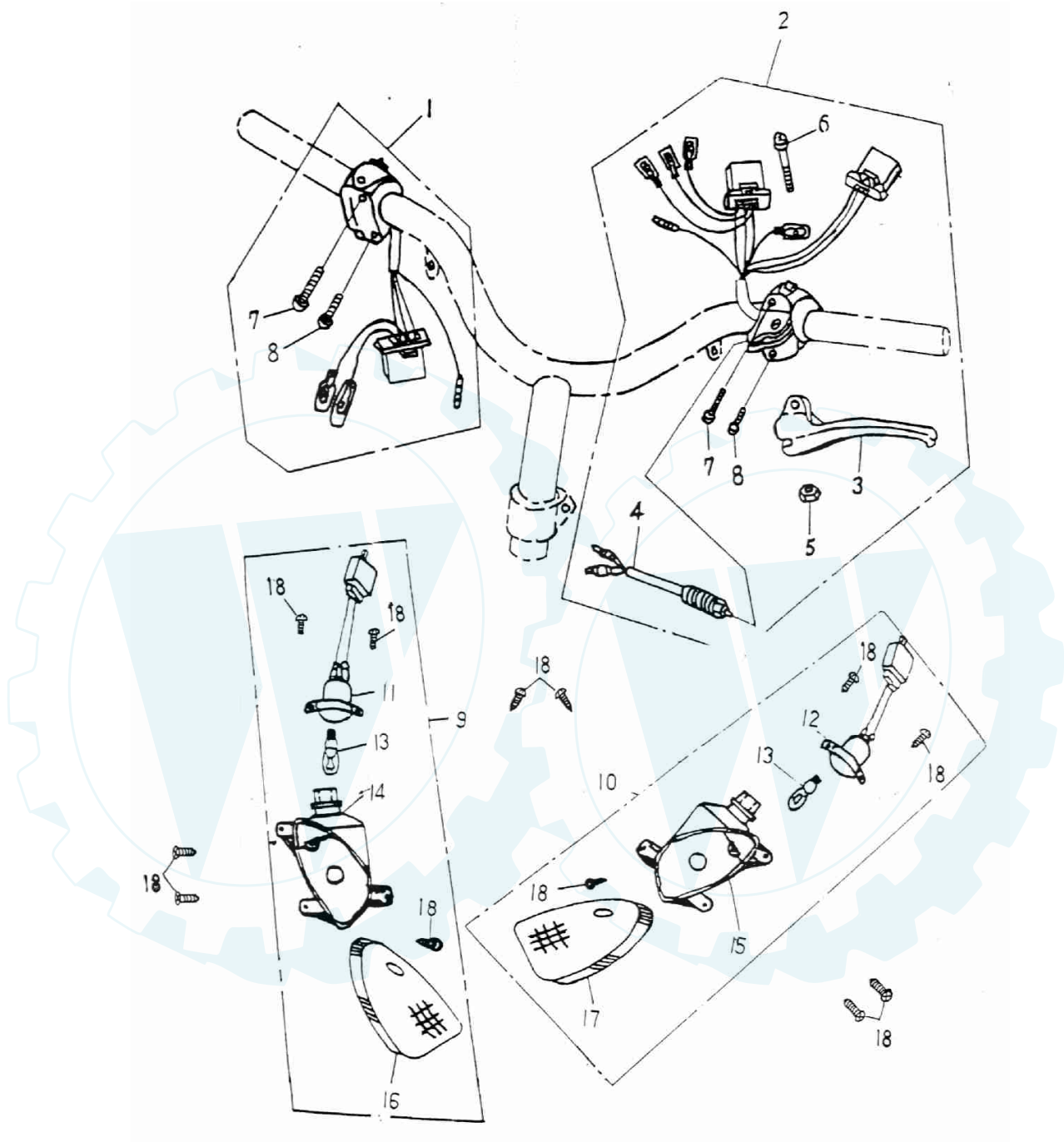
Silver Fox

Art. Nr.: 99389 blau, 99391 rot, 99382 schwarz



Blatt 1 von 2

Blinkanlage und Bremshebel



Silver Fox

Art. Nr.: 99389 blau, 99391 rot, 99382 schwarz



Blatt 2 von 2

Blinkanlage und Bremshebel

1	35150-111-001	1 R.HANDLE SWITCH ASS'Y (MARK)
2	35200-111-001	1 L. HANDLE SWITCH ASS'Y (MARK)
3	53178-107-000	1 LEFT LEVERL
4	35345-111-000	1 L.BRAKE SWITCH WIRE
5	90350-05000	1 NYLON INSERT LOCK NUT
6	90116-107-000	1 LEFT LEVER SET BOLT
7	93500-05035	2 PAN PHILLIPS BOLT
8	93500-05025	2 PAN PHILLIPS BOLT
9	33400-125-000	1 R.SIGNAL ASS'Y (E-MARK)
10	33450-125-000	1 L.SIGNAL ASS'Y(E-MARK)
11	33425-125-000	1 R.SIGNAL BULB SOCKET
12	33435-125-000	1 L.SIGNAL BULB SOCKET
13	34905-118-000	2 BULB (E-MARK)
14	33401-125-000	1 R.SIGNAL SOCKET
15	33451-125-000	1 L.SIGNAL SOCKET
16	33402-125-000	1 R.SIGNAL COVER (E-MARK)
17	33452-125-000	1 L.SIGNAL COVER (E-MARK)
18	93903-03012	12 TAPPING SCREW TRUSS HEAD PHILLIPS

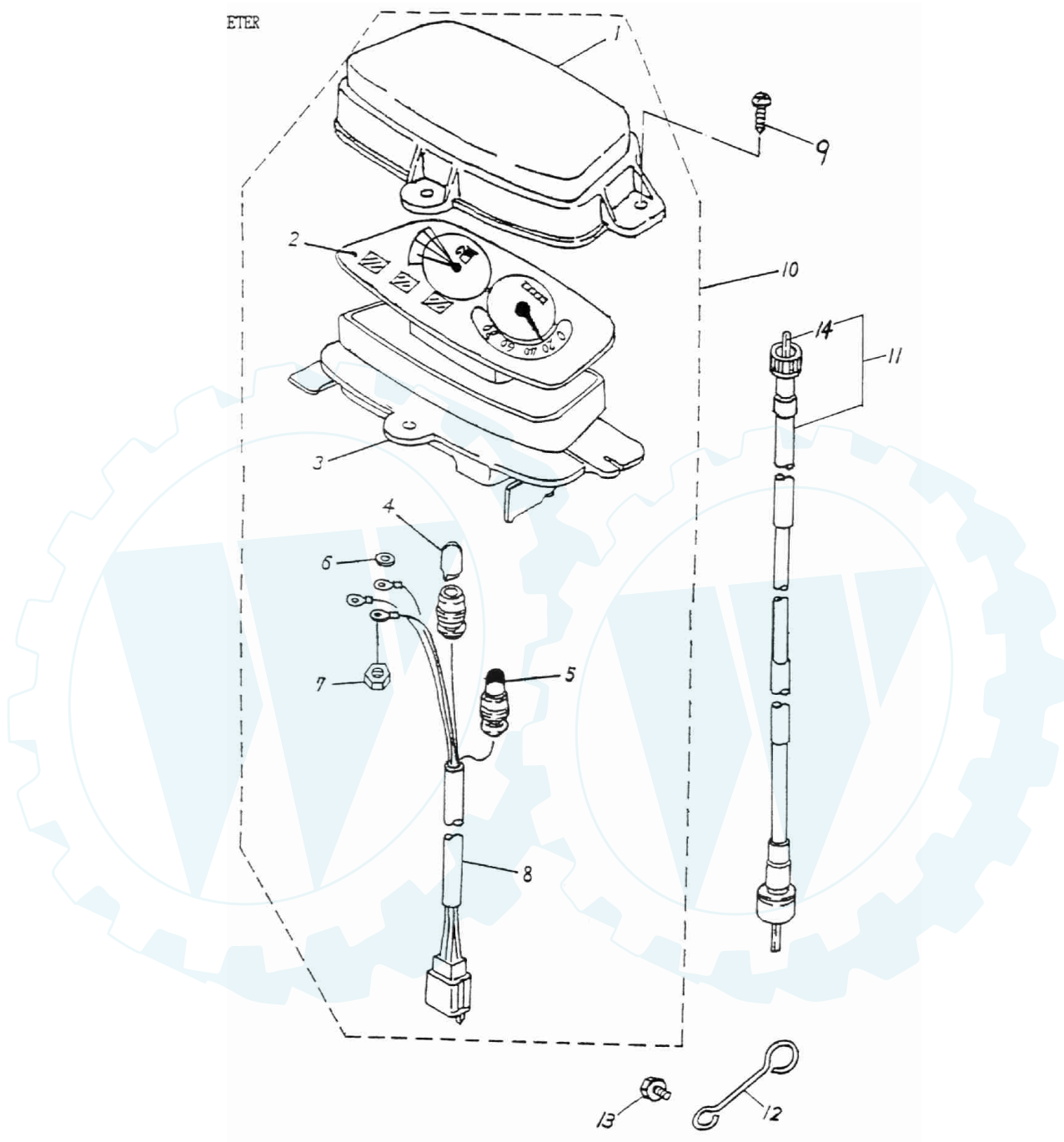
Silver Fox

Art. Nr.: 99389 blau, 99391 rot, 99382 schwarz



Blatt 1 von 2

Tachometer



ERING

Silver Fox

Art. Nr.: 99389 blau, 99391 rot, 99382 schwarz



Blatt 2 von 2

Tachometer

1	37230-107-000	1	SPEEDOMETER GLASS
2	37220-116-00B	1	SPEEDOMETER BODY (CARBON)
3	37210-107-000	1	SPEEDOMETER CASE
4	34908-101-000	4	METER BULB
5	34908-116-002	1	METER BULB
6	94101-0306006	3	PLAIN WASHER
7	94001-03000	3	HEX NUT
8	37250-107-000	1	SPEEDOETER WIRE HARNESS
9	93903-05016	2	TAPPING SCREW TRUSS HEAD PHILLPS
10	37200-116-00B	1	SPEEDOMETER ASS'Y
11	44830-107-000	1	SPEEDOMETER CABLE ASS'Y (FOR DISC)
12	44831-118-000	1	SPEEDOMETER CABLE BRACKET
13	92000-06018-10	1	HEX BOLT
14	44840-107-000	1	SPEEDOMETER INNER CABLE

ERING

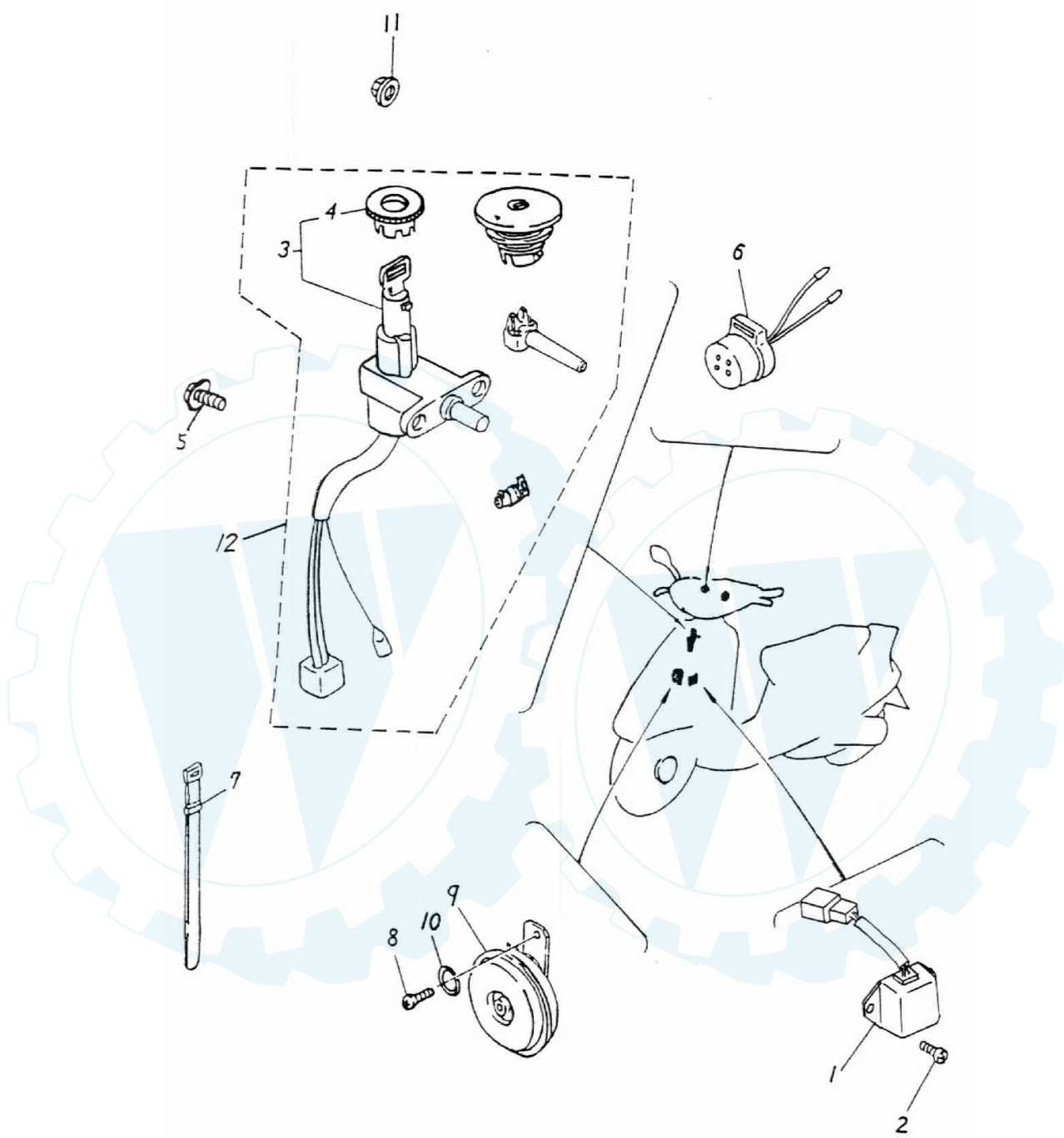
Silver Fox

Art. Nr.: 99389 blau, 99391 rot, 99382 schwarz



Blatt 1 von 2

Zündschloß, Blinksignal und Hupe



ERING

Silver Fox

Art. Nr.: 99389 blau, 99391 rot, 99382 schwarz



Blatt 2 von 2

Zündschloß, Blinksignal und Hupe

1	31600-110-000	1 REGULATOR RECTIFIER
2	93500-05012	1 PAN PHILLIPS BOLT
3	35100-116-000	1 MAIN SWITCH ASS'Y
4	35111-101-000	1 SWITCH CAP
5	92000-06018-10	1 HEX BOLT
6	38301-107-000	1 FLASHER RELAY
7	90669-101-00A	3 RUBBER STRAP
8	93500-06012	1 PAN PHILLIPS BOLT
9	38110-101-001	1 HORN (E-MARK)
10	94111-0612015	1 SPRING WASHER
11	94050-06000	1 HEX FLANGE NUT WITH SERRATION
12	35010-116-001	1 KEY SET

ERING

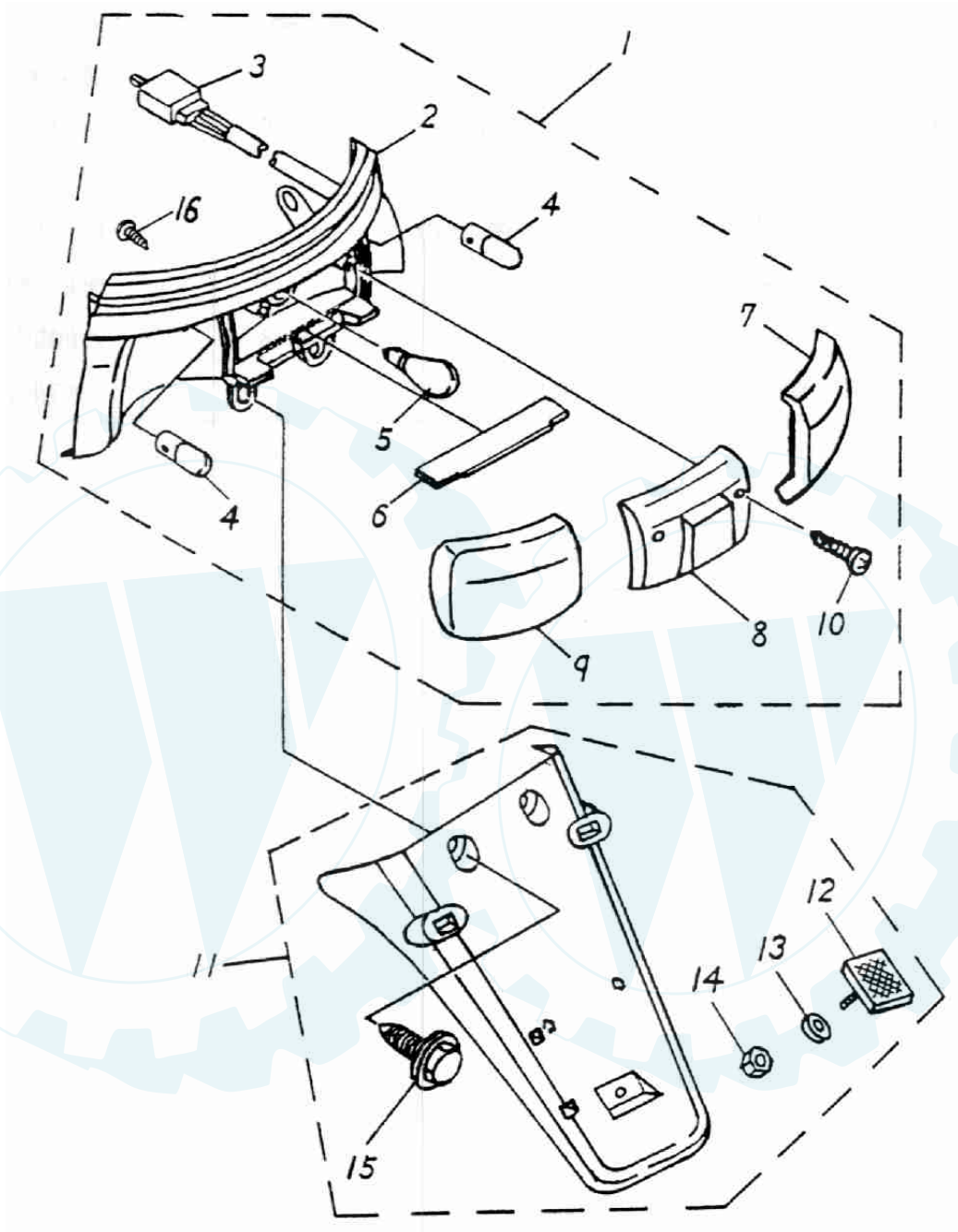
Silver Fox

Art. Nr.: 99389 blau, 99391 rot, 99382 schwarz



Blatt 1 von 2

Rücklicht mit Blinker



ERING

Silver Fox

Art. Nr.: 99389 blau, 99391 rot, 99382 schwarz



Blatt 2 von 2

Rücklicht mit Blinker

1	33700-116-000	1 TAIL LIGHT ASS'Y(METAL GARY)
2	33711-116-000	1 REAR LIGHT SOCKET(METAL GARY)
3	33712-101-000	1 TAIL LIGHT WIRE HARNESS
4	34905-116-000	2 FLASHER BULB
5	34906-105-00A	1 TAIL LIGHT BULB (E-MARK)
6	33705-116-000	1 NUMBER COVER
7	33730-116-000	1 REAR RIGHT SIGNAL LENS
8	33702-116-000	1 TAIL LIGHT LENS
9	33735-116-000	1 REAR LEFT SIGNAL LENS
10	93903-04015	2 TAPPING SCREW TRUSS HEAD PHILLIPS
11	80115-116-000	1 REAR FENDER
12	33741-105-000	1 REFLECTOR
13	94101-0514010	1 PLAIN WASHER
14	94001-05000	1 HEX NUT
15	92000-06018-10	2 HEX BOLT
16	93903-04012	4 TAPPING SCREW TRUSS HEAD PHILLIPS

ERING

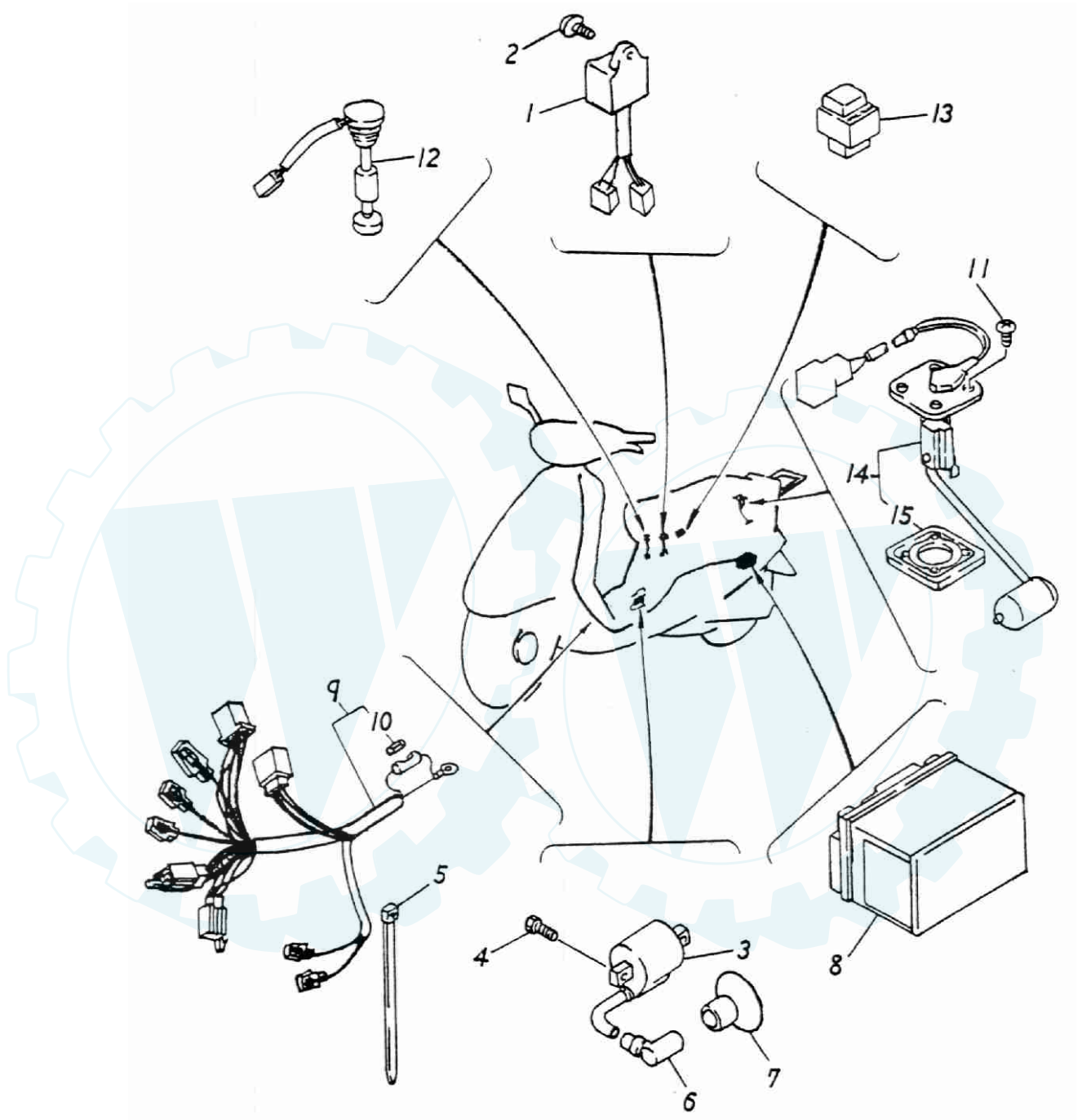
Silver Fox

Art. Nr.: 99389 blau, 99391 rot, 99382 schwarz



Blatt 1 von 2

Elektrische Anlage mit Batterie



ERING

Silver Fox

Art. Nr.: 99389 blau, 99391 rot, 99382 schwarz



Blatt 2 von 2

Elektrische Anlage mit Batterie

1	30410-116-000	1 C.D. I UNIT C.D. I
2	93000-06015	1 ROUND PHILLIPS BOLT
3	30510-116-000	1 HIGH TENSION COIL
4	93500-06020	2 PAN PHILLIPS BOLT
5	90669-101-000	7 RUBBER STRAP
6	30700-101-000	1 HIGH TENSION SEAL
7	30605-116-000	1 PLUG CAP SEAL
8	31500-116-000	1 BATTERY
9	32100-116-000	1 MAIN WIRE HARNESS
10	98200-106-000	1 FUSE
11	93000-05012	4 ROUND PHILLIPS BOLT
12	35410-116-000	1 OIL LEVEL GAUGE
13	38501-105-000	1 STARTING RELAY
14	37800-116-000	1 PETROL GAUGE ASS'Y
15	37801-101-000	1 OIL LEVER GAUGE GASKET
16	32100-116-00B	1 MAIN WIRE HARNESS

ERING